

SAN DIEGO 4

GASGRILL/BARBACOA DE GAS/GASBARBECUE



8121630

GB

INSTRUCTION MANUAL

ES

MANUAL DE USO

NL

GEBRUIKSAANWIJZING

CONTENTS

INFORMATION REGARDING THIS GAS GRILL 3

SYMBOLS IN THESE INSTRUCTIONS 3

UNPACKING THE GAS GRILL 4

SAFETY NOTICE
 REQUIRED TOOLS/AUXILIARY MATERIALS
 PARTS DESCRIPTION
 SCOPE OF DELIVERY

CONNECTING THE GAS CYLINDER 6

SAFETY NOTICE
 REQUIRED TOOLS/AUXILIARY MATERIALS
 ASSEMBLY PROCESS

OPERATING THE GAS GRILL 8

SAFETY NOTICE
 TURNING ON THE GAS GRILL
 TURNING OFF THE GAS GRILL
 MEANING OF SYMBOLS
 FIRST AID MEASURES

CLEANING/SERVICING THE GAS GRILL 11

SAFETY NOTICE

STORAGE/TRANSPORT 12

SAFETY NOTICE

DISPOSAL 13

TECHNICAL SPECIFICATIONS 13

WARRANTY/WARRANTY CERTIFICATE 14

ASSEMBLING THE GAS GRILL 44

INFORMATION REGARDING

Congratulations on purchasing this Enders product!

Please read and observe these instructions for use and particularly the safety notice before using the product and only use the product as described in these instructions, to prevent accidental injuries or damages.

Keep these instructions for future reference. If the product is given to someone else, please include these instructions.

Have fun with your Enders gas grill.

SYMBOLS IN THESE INSTRUCTIONS



This symbol stands for the word **ATTENTION** and warns of possible injuries or material damages as well as damage to the appliance.



Tools are required.



Have another person help you here.



Do not use a cutter or similar sharp objects when opening the packaging, to avoid making scratches on the product.



Useful tips and information.



Furthermore, during assembly, place a soft mat beneath the components, to avoid scratches and damages here as well.



Wear safety gloves during assembly, to avoid getting cut.

UNPACKING THE GAS GRILL

SAFETY NOTICE



- Despite careful processing of all individual parts, individual components can have sharp edges. Therefore, please wear safety gloves, to avoid getting cut.

- Mortal danger due to suffocation/swallowing. Keep the packaging material away from children and dispose of it immediately. Furthermore, keep small parts away from children and their range of reach.

REQUIRED TOOLS/AUXILIARY MATERIALS



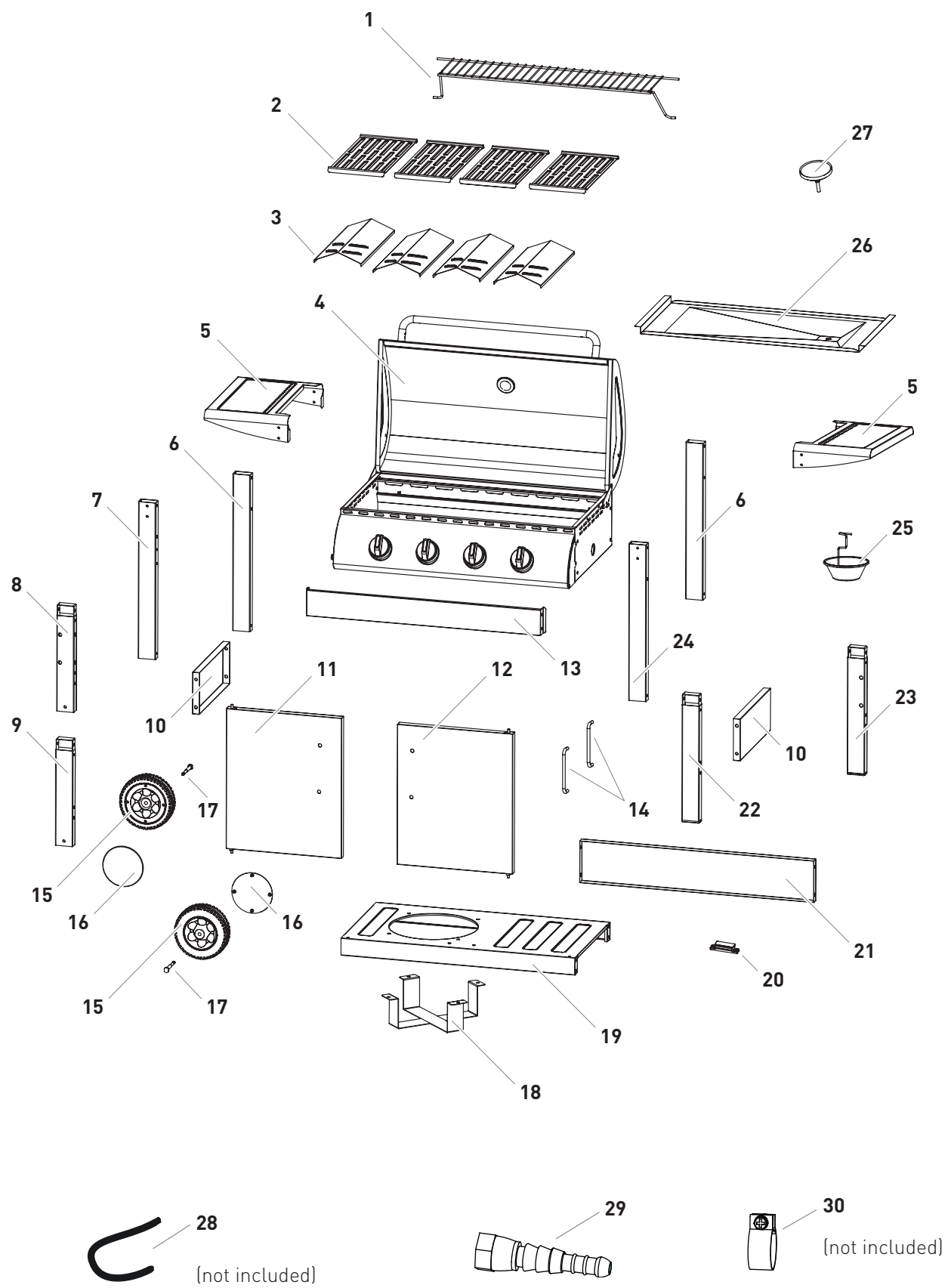
PARTS DESCRIPTION

No.	Quantity
1	1
2	4
3	4
4	1
5	2
6	2
7	1
8	1
9	1
10	2
11	1
12	1
13	1
14	2
15	2
16	2
17	2
18	1
19	1
20	1

No.	Quantity
21	1
22	1
23	1
24	1
25	1
26	1
27	1
28	0
29	1
30	0

A	8
B	14
C	20
D	16
E	2

SCOPE OF DELIVERY



CONNECTING THE GAS CYLINDER

SAFETY NOTICE



RISK OF FIRE AND EXPLOSION

- The gas grill can only be operated with a pressure regulator. The enclosed pressure regulator is correctly adjusted for operation with liquefied gas ex works. Also read and observe the assembly instructions and instructions for use, which are separately enclosed with the pressure regulator.
- The gas hose may have to be replaced if respective national regulations or the lifetime of the hose line require this.
- Gas hose and pressure regulator must be replaced at regular intervals. (For this, please refer to chapter Cleaning/Serviceing.)
- Get information at a specialist shop when purchasing or renting gas cylinders.
- Make sure that there are no sources of ignition, open fire or the like in the vicinity, when connecting or replacing the gas cylinder.
- Make sure that the gas hose does not have a kink in it or is chafed and that its entire length is accessible.
- After installing the gas cylinder, please check all connection points for leak tightness using a commercially available leak detection spray or soapy water. If there are no leaks, clean the connections with water after the inspection.
- Checking for leaks with an open flame is strictly prohibited!

REQUIRED TOOLS/AUXILIARY MATERI



ASSEMBLY PROCESS

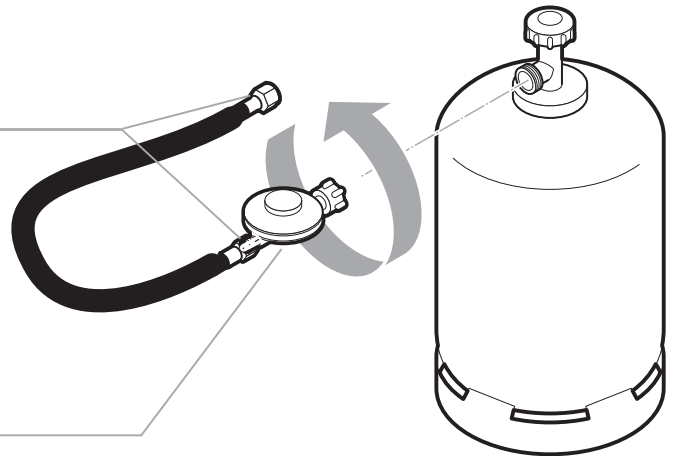


No.	Illustration	Quantity
28		0

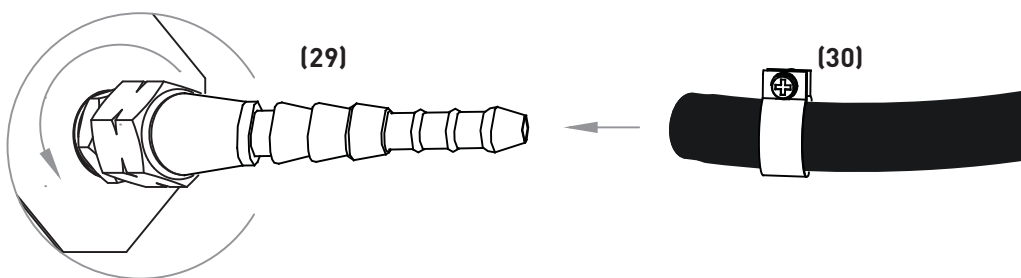
The sleeve nuts have left hand threads.

1. Place the gas cylinder next to the grill cart.
2. Screw the sleeve nut on the pressure regulator (**DIN EN 16129, Type 634**) onto the screw connector on the gas cylinder. Tighten the sleeve nut manually. Do not use any tools, so the seal is not damaged.
3. Screw the adapter (**29**) to the thread on the gas grill. Connect the hose to the adapter nozzle and secure with the hose clamp (**30**).
4. Connect the other end of the hose to the nozzle on the pressure regulator and also secure with the hose clamp (**30**).
5. Spray all sealing points with commercially available leak detection spray or brush soapy water (ratio 1 part soap/3 parts water) onto them. Open the valve on the gas cylinder. Bubbles will form if there are leaks. Close the valve on the gas cylinder and rectify the defect. Then, repeat step 5 until all leaks have been eliminated.

Sleeve nuts on the hose (DIN EN 16436-2)



Pressure regulator DIN EN 16129, Typ 634



ATTENTION

Gas cylinders with maximum dimensions of $\varnothing 23,5 \times 47$ cm can be used and placed in the grill cart. Larger cylinders can only be placed next to the grill.

OPERATING THE GAS GRILL

SAFETY NOTICE



Before you start grilling, you should always think of safety first. Therefore, there are several safety inspections, which need to be observed, before grilling.

INTENDED USE

- Only use outdoors.
- Read the instruction manual before operating this appliance.
- This appliance is not intended to be used by children or person with a limited ability to operate such appliances. It can only be operated by persons, who are capable of safely operating such an appliance.
- Attention: Accessible parts can be extremely hot. Keep children away.
- The side shelves are not intended for direct contact with food.
- Wear protective gloves when handling hot components.

BRISK OF FIRE AND EXPLOSION

Avoiding grease fires:

- Grease and oils can self-ignite if heated to extremely high temperatures. In not cleaned adequately, the accumulated grease can catch fire, which can lead to a so-called grease fire in the grill.
- Dab away excess grease/marinade from the grill items before placing them on the grill. This does not reduce the flavour of the grill items but solely serves the purpose of preventing grease fires.
- Clean the appliance regularly and remove any accumulation of grease! When doing so, pay particular attention to grease accumulation on the inside of the firebox, the flame covers, the grease drip tray and the grease cup.
- Never use water to extinguish burning, hot or smoking grease/oil.

Handling the gas installation/gas grill:

- Do not smoke when handling the gas installation.
- Do not place the gas cylinder near open fire.
- Only use the gas grill outdoors. Make sure the gas grill is sheltered from wind.
- Keep the grill away from moisture, splash water, etc.
- Position the gas grill on an even, sturdy and fireproof surface.
- Do not move the appliance when it is being operated.
- Check the hose and pressure regulator for tears and damages before each use. Do not use the gas grill if the pressure regulator, hose or gas cylinder indicate a defect or leak.
- Do not leave the gas grill unattended when it is in operation.
- For protection against accidentally escaping gas, the cylinder valve on the gas cylinder should only be open when the gas grill is being used.
- After use, close the gas feed on the gas cylinder.
- To avoid overheating, do not cover the entire grill surface with aluminium foil or the like. Keep a safe distance from flammable and heat-sensitive materials when using the grill. The distance must be at least 1 m.
- Make sure that there are no objects or parts of structures above the grill at a height less than 2 m.
- Make sure that the ventilation openings of the place where the gas cylinder is positioned are not covered.
- Immediately close the valve on the gas cylinder if gas escapes or if there is a malfunction.
- Protect the gas cylinder against severe direct sunlight. The temperature cannot exceed 40°C.

TURNING ON THE GAS GRILL



Before grilling with the gas grill for the first time, allow the burners to burn for 15 minutes without any grill items, to remove residue from preserving agents. This can lead to a slight odour development. Provide for sufficient ventilation. The colour of the lid and the firebox of the gas grill can slightly change. This is a natural process and does not constitute a complaint.

1. Open the lid of your grill.
2. You can ignite the burners independent of one another.
3. First, turn all control knobs clockwise to the OFF position "⏻" and then, open the valve on the gas cylinder!
4. Press one of the control knobs and turn it counter-clockwise to the highest setting "+". When doing so, you can hear a CLICK. The burner ignites. If the burner does not ignite, turn the knob back to the OFF position "⏻" and repeat these steps 3 to 4 times.
5. **ATTENTION:** If the burner does not ignite, turn the control knob clockwise to the OFF position "⏻" and close the valve on the gas cylinder. Wait 5 minutes and start with step 4 after opening the valve on the gas cylinder again.
6. When the one burner has ignited, repeat step 4, to ignite the other burners.
7. Regulate the heat by turning the control knob to any setting between the highest setting "+" and the lowest setting "-".

TURNING OFF THE GAS GRILL



To turn off the grill, close the valve on the gas cylinder and turn all control knobs to the "⏻" position.

MEANING OF THE SYMBOLS ON THE CONTROL PANEL



You can start and control the second burner from the left with this button.



Grill Zone

These symbols show you the different grill zones, which you can control individually on the appliance.

FIRST AID MEASURES



FIREFIGHTING MEASURES

- Bring bystanders to safety! If possible, close the valve on the gas cylinder. Cool off the gas cylinder with water. When doing so, pay attention to your own safety! A repeated spontaneous, explosive combustion is possible.
- In case of fire, filled compressed-gas cylinders should be removed from the flammable surroundings. If this is not possible, the compressed-gas cylinders should be protected against too intensive heat by spraying them with water or similar suitable means from a protected location.

MEASURES AFTER INHALING GAS

- High concentrations can cause suffocation. Symptoms can be the loss of the ability to move and consciousness. The victim is not aware of being suffocated. In low concentrations dizziness, headaches, nausea and problems with coordination can arise.
- Bring the victim to a location where he/she can breathe fresh air. Call a physician or the emergency services. Conduct first aid measures in the event of respiratory arrest.

MEASURES AFTER SEVERE BURNING OR SCALDING

- There is an acute risk of hypothermia and shock. Call emergency services immediately!
- Immediately extinguish possible burning clothing with water or put out the flames using a thick blanket.
- In the case of scalding: Immediately remove clothing.
- In the case of burns: Leave clothing on the body.
- Cool with cold water for at least 15 minutes

until the pain subsides.

- Cover the respective area with a sterile Metalline compress. Place the side coated with Metalline on the injured skin and loosely fixate with a gauze bandage and a cravat.
- Do not use any "household remedies" such as ointments, powder, oils, disinfectants, etc.!

MEASURES AFTER MINOR BURNS OR SCALDING

- In the case of scalding: Immediately remove clothing.
- In the case of burns: Only remove clothing if it does not stick.
- Cool with cold water for at least 15 minutes until the pain subsides.
- Allow minor burns or scalding without blistering to heal with the help of fresh air; do not cover with a plaster or any other dressing.

CLEANING/SERVICING THE GAS GRILL

SAFETY NOTICE



- Despite careful processing of all individual parts, individual components can have sharp edges. Therefore, please wear safety gloves, to avoid getting cut.
- Hot surface: Do not clean the gas grill until it has sufficiently cooled off.
- Do not make any modifications to the gas grill or pressure regulator. The hose must be serviced after 5 years (refer to the date of manufacturer on the hose).
- Replace the pressure regulator and the hose after 10 years at the latest; even if no external damage can be detected. Make sure that the pressure regulator is approved for your country and the gas used and that it is adjusted to the correct output pressure (refer to Technical Specifications) . A new hose cannot be longer than 1.5 m.

RISK OF FIRE AND EXPLOSION

Avoiding grease fires:

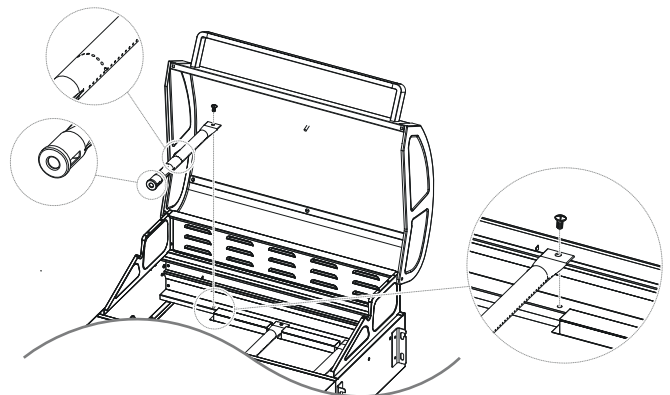
- Clean the appliance each time before use, to avoid the accumulation of grease. When doing so, pay particular attention to grease accumulation on the inside of the firebox, the flame covers, the grease drip tray and the grease cup.
- Do not use any flammable cleaning agents.
- All components, which were sealed by the manufacturer or its representative, cannot be manipulated or modified.
- Together with oil, the gas forms an explosive mixture. Never try to loosen tight valves or regulator knobs with oil or penetrating oil.
- The burners can be removed for cleaning purposes.

Handling the gas installation/gas grill:

- Repairs and servicing of the gas-conveying parts can only be conducted by specialists authorized to do so.



- Dab away excess grease/marinade from the grill items before placing them on the grill. This does not reduce the flavour of the grill items but solely serves the purpose of preventing grease fires.
- Clean the grill after each use.
- Do not use any abrasive or chloric cleaning agents.
- Pull out the grease drip tray and the grease cup and dispose of the grease in an environmentally sound manner.
- Wipe of the surfaces with a damp rag or rinse them off with hot water. If necessary, use a mild cleaning agent. Rinse off with water and dry all surfaces with a microfibre cleaning cloth.
- When using a mild cleaning agent, you should also observe the manufacturer's instructions/product information, to avoid damage to the surface.
- Allow the appliance to thoroughly dry before using it again.
- If, in exceptional cases, the burner tube is clogged, it must be cleared using a needle or a pipe cleaner.



STORAGE/TRANSPORT

SAFETY NOTICE



RISK OF FIRE AND EXPLOSION

- Store the gas cylinder out of the reach of children.
- Keep the gas cylinder away from flammable gases and other oxidizing substances.
- Escaping liquefied gas is heavier than air and sinks to the ground. Do not store the gas cylinder in the house, under ground level (e.g. basements, wells, underground car parks, etc.) or in non-ventilated spaces, in which escaping gas could accumulate.
- Protect the gas cylinder against direct sunlight and other heat sources.
- Store the gas cylinder at temperatures under 40°C in a well ventilated space and where it is protected against the influences of weather.
- Store the gas cylinder in an upright position and ensure it cannot topple over.
- These storage instructions also apply to empty gas cylinders because these always contain a residual amount of liquefied gas.
- If possible, do not transport the gas cylinder in vehicles, in which the cargo bay/boot is not separated from the driver's cab. The driver must be aware of the possible risks of the load and he/she must know what to do in case of an accident or emergency.
- Transport the gas cylinder in an upright position and ensure it cannot topple over or slip/shift.
- Make sure the valve on the gas cylinder is closed and leakproof.
- Ask your gas retailer about effective national requirements and information.



- Store the appliance in a dry room free of frost. Close the lid of the grill and cover the appliance, to prevent soiling and damages.

DISPOSAL



The product packaging is made of recyclable materials, which can be used for recycling. Dispose of this packaging correctly sorted in the collection bins provided.

If you want to dispose of the product, do not do so with household waste. Ask your local waste management company or your municipal administration about the possibilities of an environmentally-friendly disposal, which preserves resources.

TECHNICAL SPECIFICATIONS

Model: SAN DIEGO 4

Item no.: 8121630

$\Sigma Q_n H_S$: 9 kW
655 g/h (PL 644 g/h)

Product-ID no.: 0063CU7014

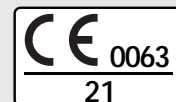
Type of gas: Propan G31/Butan G30

This appliance was tested and approved according to DIN EN 498:2012 .In its delivery state, the appliance is designed for operation with liquefied gas.

Hose length: 0.6 m

Gas cylinder: Gas cylinders with max. dimensions of \emptyset 23,5 x 47 cm can be used and placed in the grill cart.

Dest.	Category	p (mbar)	Nozzle designation (mm) Burner
GB	I3+ (28-30/37)	(28-30/37)	\emptyset 0,75



WARRANTY



We grant a **2-year warranty** on the functioning of the product. Prerequisite for this warranty is the proper handling of the product and official proof of the date of purchase.

The warranty expires at the end of the warranty period or immediately if you make any modifications to the product yourself. All components, which were sealed by the manufacturer or its representative, cannot be manipulated.

If, despite our quality checks, your product should be defective, please do not bring it back to the retailer but contact Enders directly. By doing so, we can ensure a quick processing of your complaint.

Service form:

<http://www.enders-germany.com>

Please fill it out and keep the warranty certificate as well as the sales receipt for further enquiries!

Model name

Item number manufacturer

Serial number (see the back of the appliance)

Date of purchase

Place of purchase

Subject to colour variations and technical modifications for the purpose of product improvement.

Attach sales receipt

ÍNDICE

ACERCA DE LA BARBACOA DE GAS 17

SÍMBOLOS EN ESTAS INSTRUCCIONES 17

DESEMPAQUETAR LA BARBACOA DE GAS 18

INDICACIONES DE SEGURIDAD
 HERRAMIENTAS/INSTRUMENTOS NECESARIOS
 DESCRIPCIÓN DE LAS PIEZAS
 VOLUMEN DE SUMINISTRO

CONECTAR UNA BOTELLA DE GAS 20

INDICACIONES DE SEGURIDAD
 HERRAMIENTAS/INSTRUMENTOS NECESARIOS
 PROCESO DE MONTAJE

MANEJO DE LA BARBACOA DE GAS 22

INDICACIONES DE SEGURIDAD
 ENCENDER LA BARBACOA DE GAS
 APAGAR LA BARBACOA DE GAS
 EXPLICACIÓN DE SÍMBOLOS
 MEDIDAS DE PRIMEROS AUXILIOS

LIMPIAR/MANTENER LA BARBACOA DE GAS 25

INDICACIONES DE SEGURIDAD

ALMACENAMIENTO/TRANSPORTE 26

INDICACIONES DE SEGURIDAD

ELIMINACIÓN 27

CARACTERÍSTICAS TÉCNICAS 27

GARANTÍA/CERTIFICADO DE GARANTÍA 28

MONTAR LA BARBACOA DE GAS 44

ACERCA DE LA BARBACOA DE GAS

¡Felicidades por adquirir este producto Enders!

Lea y tenga en cuenta este manual de instrucciones, especialmente las indicaciones de seguridad, antes de montar y poner en funcionamiento el aparato y utilice el producto solo como se describe en estas instrucciones para que no provoque lesiones o daños accidentalmente.

Conserve estas instrucciones para su referencia en el futuro. Adjunte estas instrucciones si entrega el artículo a terceros.

Esperamos que disfrute de su barbacoa de gas Enders.

SÍMBOLOS EN ESTAS INSTRUCCIONES



Este símbolo representa el término indicativo **ATENCIÓN** y le advierte de posibles lesiones o daños materiales, así como daños al aparato.



Se requieren herramientas.



Deje que otra persona le ayude en este punto.



No utilice un cúter u otros objetos afilados similares al abrir el embalaje para no rayar el aparato.



Consejos e información útiles.



Coloque una base blanda bajo las piezas durante el montaje para evitar también arañazos y daños.



Utilice guantes de seguridad durante el montaje para evitar lesiones por cortes.

DESEMPAQUETAR LA BARBACOA DE GAS

INDICACIONES DE SEGURIDAD



- A pesar del procesamiento cuidadoso de todas las piezas individuales, algunas piezas pueden tener los bordes afilados. Por eso, utilice guantes de seguridad durante el montaje para evitar lesiones por cortes.
- Peligro de muerte por asfixia/ingestión. Mantenga el material de embalaje fuera del alcance de los niños y elimínelo de inmediato. Guarde también las piezas pequeñas fuera de su alcance.

HERRAMIENTAS/INSTRUMENTOS NECESARIOS



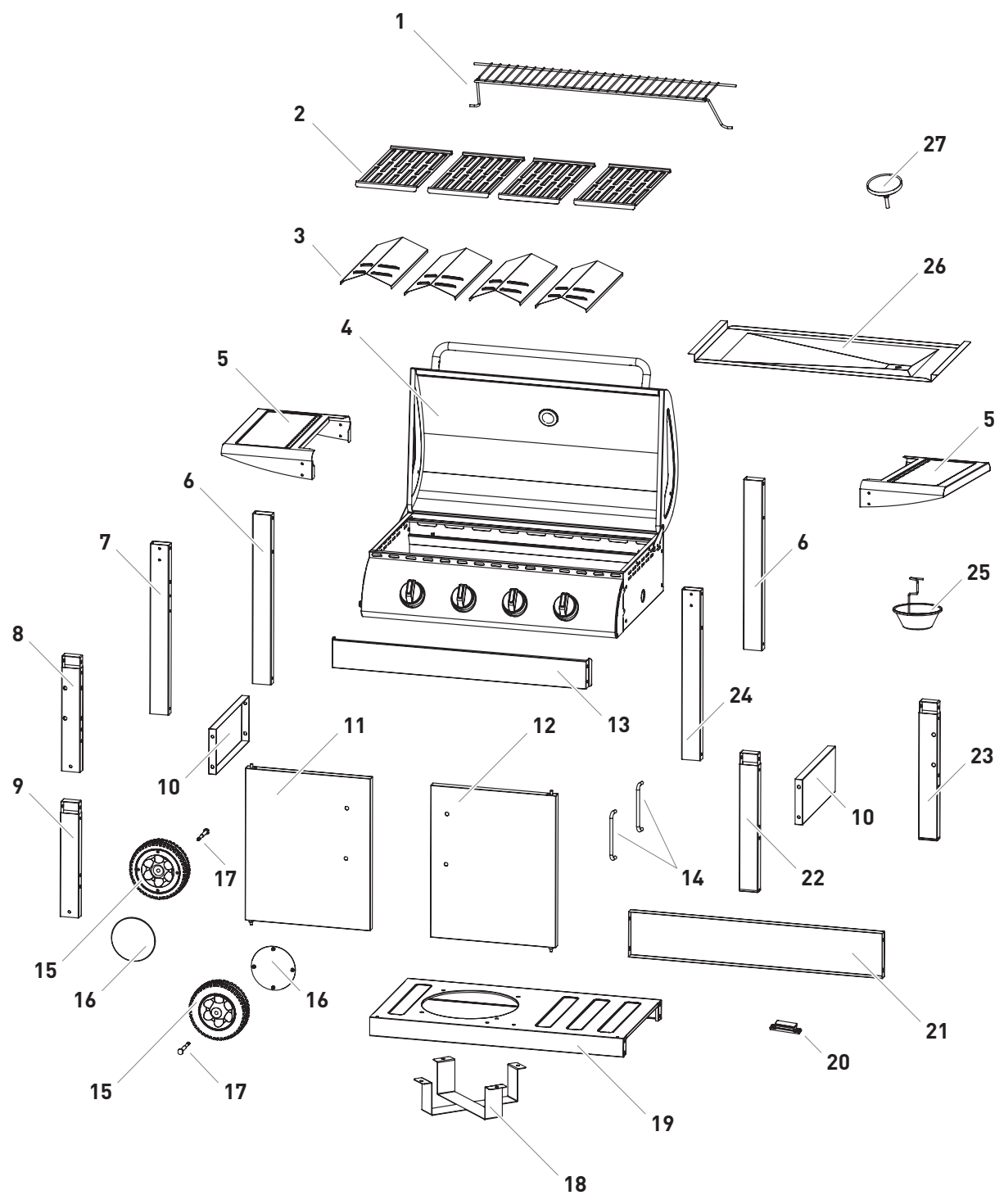
DESCRIPCIÓN DE LAS PIEZAS

N.º	Cantidad
1	1
2	4
3	4
4	1
5	2
6	2
7	1
8	1
9	1
10	2
11	1
12	1
13	1
14	2
15	2
16	2
17	2
18	1
19	1
20	1

N.º	Cantidad
21	1
22	1
23	1
24	1
25	1
26	1
27	1
28	0
29	1
30	0

A	8
B	14
C	20
D	16
E	2

VOLUMEN DE SUMINISTRO



28
[no incluida en el volumen de suministro]

29

30
[no incluida en el volumen de suministro]

CONECTAR UNA BOTELLA DE GAS

INDICACIONES DE SEGURIDAD



PELIGRO DE INCENDIO Y DE EXPLOSIÓN

- Utilice la barbacoa de gas únicamente con un regulador de presión. El regulador de presión adjunto está correctamente ajustado de fábrica para su uso con gas licuado. Lea y tenga en cuenta también las instrucciones de montaje y utilización separadas adjuntas al regulador de presión.
- En caso necesario, deberá reemplazar la manguera de gas si las disposiciones nacionales correspondientes o el periodo de validez de la manguera lo requieren.
- La manguera de gas y el regulador de presión deben reemplazarse a intervalos regulares. (Véase para ello el capítulo Limpiar/mantener.)
- Déjese aconsejar por un vendedor especializado al comprar o alquilar la botella de gas.
- Asegúrese de que no haya fuentes de ignición, llamas vivas o similares en los alrededores cuando conecte o reemplace la botella de gas.
- Procure que la manguera de gas no se doble o roce y que sea accesible en toda su longitud.
- Tras el montaje de la botella de gas, compruebe la estanqueidad de todas las uniones con un aerosol detector de fugas o con agua jabonosa. Siempre que no se hallen fugas, limpie las uniones con agua tras la prueba.
- ¡Queda terminantemente prohibida una prueba de estanqueidad con llamas vivas!

HERRAMIENTAS/INSTRUMENTOS NECESARIOS



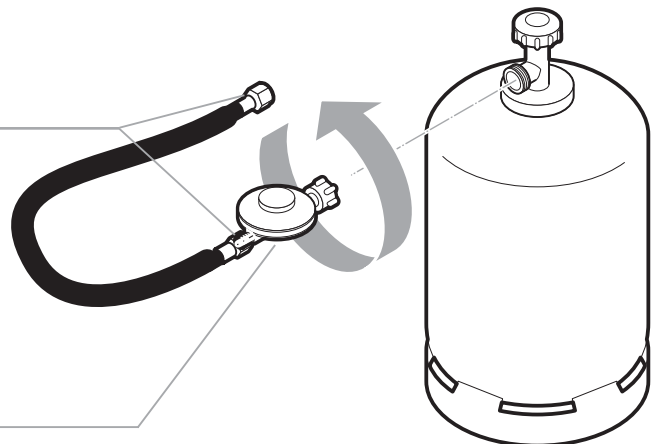
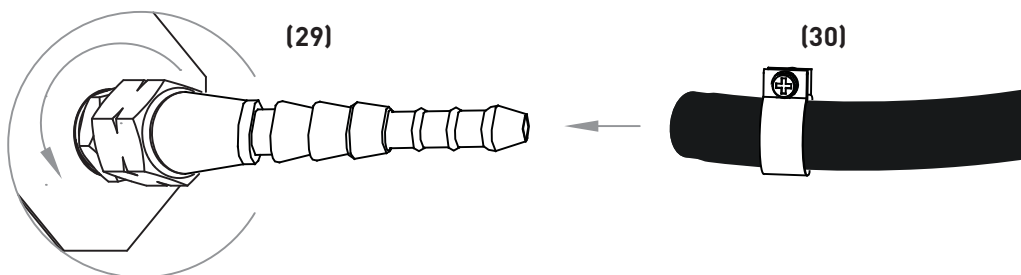
PROCESO DE MONTAJE



N.º	Ilustración	Cantidad
28		0

Las tuercas de unión son de rosca a la izquierda.

1. Coloque la bombona de gas junto a la barbacoa.
2. Enrosque la tuerca de unión del regulador de presión (**DIN EN 16129, Tipo 682**) a la conexión roscada de la botella de gas. Apriete la tuerca de unión con la mano. No utilice herramientas para no dañar la junta.
3. Enrosque el adaptador (**29**) en la rosca de la barbacoa de gas. Coloque el tubo en la boquilla del adaptador y fíjelo con la abrazadera del tubo.
4. Coloque el otro extremo del tubo en la boquilla del regulador de presión y fíjelo también con la abrazadera del tubo (**30**).
5. Pulverice todas las juntas con un aerosol detector de fugas convencional o úntelas agua jabonosa (proporción de 1 parte de jabón/3 partes de agua). Abra la válvula de la botella de gas. En los puntos no estancos se formarán burbujas. Vuelva a cerrar la válvula de la botella de gas y corrija los defectos. A continuación, repita el paso 5 hasta que todos los puntos no estancos queden corregidos.

Tuercas de unión de la manguera (DIN EN 16436-2)**Regulador de presión (DIN EN 16129, Typo 682)****ATENCIÓN**

Las botellas de gas con una dimensión máxima de \varnothing 23,5 x 47 cm pueden utilizarse y colocarse en la barbacoa. Las botellas mayores solo pueden colocarse al lado de la barbacoa.

MANEJO DE LA BARBACOA DE GAS

INDICACIONES DE SEGURIDAD



Al empezar a utilizar la barbacoa, la seguridad debe tener siempre la mayor prioridad. Por ello, tenga en cuenta las siguientes pruebas de seguridad antes de cada uso.

USO PREVISTO

- Utilícelo solo en exteriores.
- Lea el manual de instrucciones antes de poner en marcha el aparato.
- El aparato no está pensado para que lo utilicen niños y personas con capacidades disminuidas para utilizar aparatos. Solo deben utilizarlo personas capaces de manejar el aparato de forma segura.
- Atención: Las piezas accesibles pueden calentarse mucho. Manténgalo lejos de los niños.
- Los estantes laterales no están pensados para el contacto directo con alimentos.
- Utilice guantes de seguridad al manejar componentes calientes.

PELIGRO DE INCENDIO Y DE EXPLOSIÓN Evitar fuegos de grasa:

- Las grasas y los aceites pueden inflamarse espontáneamente en estado muy caliente. En caso de limpieza insuficiente, la grasa acumulada empieza a arder, lo que puede provocar un denominado fuego de grasa en la barbacoa.
- Seque la grasa/el adobo sobrante de los alimentos antes de asarlos. Esto no solo no reduce el sabor de los alimentos, sino que sirve también para evitar fuegos de grasa.
- ¡Limpie regularmente las acumulaciones de grasa del aparato! Tenga especialmente en cuenta las acumulaciones de grasa en la cámara de fuego, las cubiertas de llama, la bandeja para grasa y la fuente de recogida de grasa.
- No apague nunca con agua grasas/aceites ardiendo, calientes o humeantes.




Manejo de instalaciones de gas/barbacoa de gas:

- No fume mientras manipule la instalación de gas.
- No coloque la botella de gas cerca de llamas abiertas.
- Utilice la barbacoa de gas solo en exteriores. Asegúrese de que la barbacoa de gas está protegida contra el viento.
- Mantenga la barbacoa lejos de humedad, salpicaduras de agua, etc.
- Coloque la barbacoa de gas en una superficie plana, estable e ignífuga.
- No mueva el aparato mientras esté en funcionamiento.
- Revise la manguera y el regulador de presión en busca de roturas y daños antes de cada uso. No ponga en marcha la barbacoa de gas si el regulador de presión, la manguera o la botella de gas están presentan defectos o fugas.
- No deje la barbacoa de gas sin vigilancia durante el funcionamiento.
- Para evitar que el gas fluya accidentalmente, solo debe abrir la válvula en la botella de gas cuando la barbacoa de gas esté en funcionamiento.
- Tras la utilización, cierre el suministro de gas en la botella de gas.
- Para evitar un sobrecalentamiento, no cubra completamente la superficie de asado con papel de aluminio o similares. Utilice únicamente productos Enders originales.
- Mantenga una distancia de seguridad respecto a los materiales inflamables o sensibles a la calor durante el funcionamiento. Dicha distancia no debe ser menor de 1 m.
- Asegúrese de que no se halla ningún objeto o tramos de edificios por debajo de una altura de 2 m sobre la barbacoa de gas.
- Asegúrese de que las aberturas de ventilación de la zona de colocación de la botella de gas no están bloqueadas.
- Cierre inmediatamente la válvula de la botella de gas en caso de fuga de gas o de avería.
- Proteja la botella de gas de la luz solar intensa. La temperatura no debe superar los 40 °C. nicht überschreiten.

ENCENDER LA BARBACOA DE GAS




Antes de cocinar por primera vez en la barbacoa de gas, deje el quemador funcionando durante 15 minutos sin alimentos para eliminar los restos de conservación. Puede desprender un ligero olor. Procure que la ventilación sea suficiente. El color de la cubierta y de la cámara de combustión puede variar ligeramente. Esto es un proceso natural y no es motivo de reclamaciones.

1. Abra la tapa de la barbacoa.
2. Puede encender los quemadores de forma independiente.
3. ¡Gire todos los botones de ajuste en el sentido de las agujas del reloj en la posición de apagado «» y solo entonces abra la válvula de la botella de gas!
4. Presione uno de los botones de ajuste y gírelo en el sentido contrario de las agujas del reloj al nivel más alto «+». Se sentirá un clic. El quemador se encenderá. Si el quemador no se encendiera, vuelva a girar el botón a la posición de apagado
5. «» y repita estos pasos de 3 a 4 veces.
6. **ATENCIÓN:** Si el quemador no se enciende, gire el botón de ajuste en el sentido de las agujas del reloj en la posición de apagado «» y cierre la válvula de la botella de gas. Espere 5 minutos y empiece en el paso 4 tras volver a abrir la válvula de la botella de gas.
7. Cuando el quemador se haya encendido, repita el paso 4 para encender el otro quemador.
8. Regule el calor girando el botón de ajuste a la posición deseada entre el nivel más alto «+» y el nivel más bajo «-».

APAGAR LA BARBACOA DE GAS



Para apagar la barbacoa de gas, cierre la válvula de la botella de gas y gire todos los botones de ajuste a la posición «».

EXPLICACIÓN DE SÍMBOLOS EN EL PANEL DE CONTROL



Con este botón inicia y regula el segundo quemador de la izquierda.



Zona de asado

Estos símbolos le muestran las diferentes zonas de asado que puede regular individualmente en su aparato.

MEDIDAS DE PRIMEROS AUXILIOS



MEDIDAS A TOMAR EN CASO DE INCENDIO

- ¡Ponga a salvo a las personas cercanas! Si es posible, cierre la válvula de la botella de gas. Enfríe la botella de gas con agua. Al hacerlo, ¡tenga en cuenta su seguridad! No puede descartarse una reignición espontánea explosiva.
- En caso de incendio, aleje los contenedores de gas a presión llenos de la zona con riesgo de incendio. Si no es posible, proteja los contenedores de gas a presión de un calentamiento excesivo rociándolos agua u otros medios adecuados desde un lugar seguro.

MEDIDAS A TOMAR TRAS RESPIRAR GAS

- Las concentraciones altas pueden provocar asfixia. Los síntomas pueden ser la pérdida de la movilidad y de la conciencia. La persona afectada no notará la asfixia. A concentraciones bajas pueden aparecer mareos, dolores de cabeza, náuseas y problemas de coordinación.
- Lleve a la persona afectada a un lugar con aire fresco. Avise a un médico o al servicio de emergencias. Preste primeros auxilios en caso de parada respiratoria.

MEDIDAS A TOMAR TRAS QUEMADURAS O ESCALDADURAS GRAVES

- Existe el peligro grave de hipotermia o choque circulatorio. ¡Llame inmediatamente al servicio de emergencias!
- Apague inmediatamente la ropa ardiendo con agua o ahogue las llamas con una manta gruesa.
- En caso de escaldaduras: Retire inmediatamente la ropa.
- En caso de quemaduras: Deje la ropa puesta.

- Enfríe con agua fría al menos 15 minutos hasta que el dolor disminuya.
- Cubra la zona afectada con una sábana estéril Metalline. Coloque la zona recubierta con Metalline sobre la piel lesionada y fíjela holgadamente con una venda de gasa o un vendaje triangular.
- ¡No utilice «remedios caseros» como ungüentos, talco, aceites, desinfectantes, etc.!

MEDIDAS A TOMAR TRAS QUEMADURAS O ESCALDADURAS LEVES

- En caso de escaldaduras: Retire inmediatamente la ropa.
- En caso de quemaduras: Retire la ropa únicamente si no está enganchada.
- Enfríe con agua fría al menos 15 minutos hasta que el dolor disminuya.
- Deje curar las quemaduras o escaldaduras leves sin formación de ampollas al aire, no las cubra con una tirita o un vendaje.

LIMPIAR/MANTENER LA BAR

INDICACIONES DE SEGURIDAD



- A pesar del procesamiento cuidadoso de todas las piezas individuales, algunas piezas pueden tener los bordes afilados. Por eso, utilice guantes de seguridad durante el montaje para evitar lesiones por cortes.
- Superficie caliente: Espere a que la barbacoa de gas se haya enfriado lo suficiente antes de la limpieza.

PELIGRO DE INCENDIO Y DE EXPLOSIÓN

Evitar fuegos de grasa:

- Limpie el aparato antes de cada uso para evitar acumulaciones de grasa. Tenga especialmente en cuenta las acumulaciones de grasa en la cámara de fuego, las cubiertas de llama, la bandeja para grasa y la fuente de recogida de grasa.
- No utilice productos de limpieza inflamables.

Manejo de instalaciones de gas/barbacoa de gas:

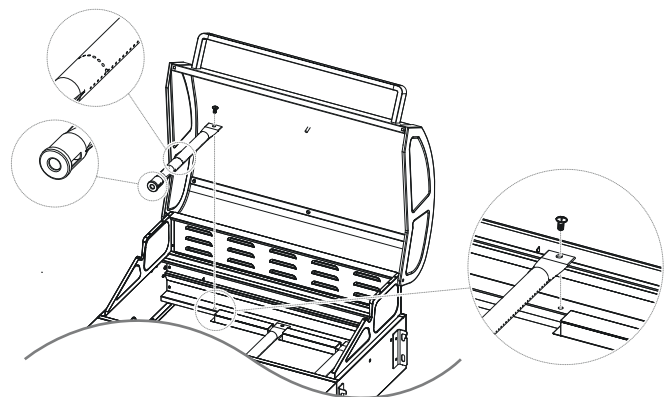
- Las reparaciones y el mantenimiento de las piezas conductoras de gas deben realizarlas únicamente personal cualificado autorizado para tal fin.
- No realice ninguna modificación en la barbacoa de gas ni en el regulador de presión. La manguera debe mantenerse cada 5 años (véase la fecha de fabricación en la manguera).
- Reemplace el regulador de presión y la manguera cada 10 años como muy tarde, aunque no se aprecien daños exteriores. Asegúrese de que el regulador de presión está permitido para su país y el gas utilizado y que está ajustado a la presión de salida correcta (véase Datos técnicos). Una manguera nueva no debe superar los 1,5 m de longitud.
- Las piezas selladas por el fabricante no deben manipularse o modificarse.
- El gas forma una mezcla explosiva junto con el aceite. Nunca intente suavizar con aceite válvulas o botones reguladores duros.
- Los quemadores pueden extraerse para su limpieza.



- Seque la grasa/el adobo sobrante de los alimentos antes de asarlos. Esto no solo no reduce el sabor de los alimentos, sino que sirve también para evitar fuegos de grasa.

- Limpie la barbacoa tras cada uso.
- No utilice productos de limpieza abrasivos o que contengan cloro.
- Extraiga la bandeja para grasa y la fuente de recogida de grasa y elimine la grasa respetando el medio ambiente.
- Limpie las superficies con un paño húmedo o enjuáguelas en caliente. En caso necesario, utilice un producto de limpieza suave. Enjuáguelas con agua y seque todas las superficies con un trapo de microfibra.
- Si utiliza un producto de limpieza suave, tenga también en cuenta las indicaciones/la información del producto del fabricante para evitar daños en la superficie.

- Deje que el aparato se seque completamente antes de volver a utilizarlo.
- En el caso excepcional que el tubo del quemador se atasque, desatásquelo con una aguja o un limpiador de tuberías.



ALMACENAMIENTO/TRANSPORTE

INDICACIONES DE SEGURIDAD



PELIGRO DE INCENDIO Y DE EXPLOSIÓN

- Guarde la botella de gas en un lugar seco y fuera del alcance de los niños.
- Mantenga la botella de gas lejos de gases combustibles y otras sustancias inflamables.
- Una fuga de gas licuado es más pesada que el aire y desciende hasta el suelo. No guarde la botella de gas en casa, bajo el nivel del suelo (p. ej. sótanos, pozos, garajes subterráneos, etc.) o en espacios sin ventilación en los que pudiera acumularse una fuga de gas.
- Proteja la botella de gas de la luz solar directa o de otras fuentes de calor.
- Guarde la botella de gas a menos de 40 °C en un lugar bien ventilado, sombrío y protegido contra las influencias meteorológicas.
- Guarde la botella de gas verticalmente y asegurada contra caídas.
- Estas indicaciones de conservación se aplican también a botellas de gas vacías, ya que estas todavía contienen una cantidad residual de gas licuado.
- Si es posible, no transporte las botellas de gas en vehículos cuyo compartimento de carga no esté separado de la cabina del conductor. El conductor debe conocer los posibles peligros de la carga y debe saber qué hacer en caso de accidente o emergencia.
- Transporte la botella de gas verticalmente y asegurada contra caídas y resbalones.
- Asegúrese de que la válvula de la botella de gas está cerrada y es estanca.
- Pregunte a su distribuidor de gas por los requisitos nacionales actuales e indicaciones.



- Guarde el aparato en un lugar seco y protegido contra las heladas. Cierre la cubierta de la barbacoa y cubra el aparato para evitar la suciedad y los daños.

ELIMINACIÓN



El envase del producto está compuesto de materiales reciclables que pueden ser reutilizados. Deséchelo clasificándolo en los contenedores de recogida previstos para ello.

Si desea deshacerse del artículo, no lo elimine junto con los residuos domésticos. Consulte a su empresa de gestión de residuos local o a su administración municipal para informarse sobre las opciones de eliminación respetuosas con el medio ambiente y los recursos.

CARACTERÍSTICAS TÉCNICAS

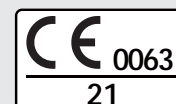
Model:	SAN DIEGO 4
Item no.:	8121630
$\Sigma Q_n H_s$:	9 kW 655 g/h (PL 644 g/h)
Product-ID no.:	0063CU7014
Type of gas:	Propan G31/Butan G30

Este aparato se ha comprobado y autorizado según la DIN EN 498:2012. En su estado de entrega, el aparato ha sido diseñado para su funcionamiento con gas licuado.

Longitud de manguera: 0,6 m

Botella de gas: Las botellas de gas con una dimensión máx. de \emptyset 23,5 x 47 cm pueden utilizarse y colocarse en la barbacoa.

Dest.	Category	p (mbar)	dendificación de boquilla (mm) Quegador
ES	I3+(28-30/37)	28-30/37	\emptyset 0,75



GARANTÍA



Asumimos durante **2 años** la **garantía** sobre la funcionalidad del aparato. El requisito para un servicio de garantía es un manejo correcto del aparato y una prueba oficial de la fecha de compra.

La garantía se anula al transcurrir el periodo de garantía o inmediatamente si se realizan modificaciones independientes al aparato. ¡Las piezas selladas por el fabricante o su representante no deben manipularse!

Si el producto presentase un defecto a pesar de nuestros controles de calidad, por favor, no lo devuelva a su distribuidor, sino que póngase en contacto directamente con Enders. Así podremos garantizarle un procesamiento rápido de la reclamación.

Formulario de solicitud de servicios:
<http://www.enders-germany.com>

¡Complételo y conserve la tarjeta de garantía y el justificante de compra para posibles consultas!

 Número de modelo

 Número de artículo Fabricante

 Número de serie (ver parte posterior del aparato)

 Fecha de compra

 Lugar de compra

Subject to colour variations and technical modifications for the purpose of product improvement.

Grapar justificante de compra

INHOUD

OVER DEZE GASBARBECUE 31

GEBRUIKTE SYMBOLEN 31

GASBARBECUE UITPAKKEN 32

VEILIGHEIDSVOORSCHRIFTEN
 BENODIGD GEREEDSCHAP/HULPMIDDELEN
 OMSCHRIJVING VAN DE ONDERDELEN
 MEEGELEVERD

GASFLES AANSLUITEN 34

VEILIGHEIDSVOORSCHRIFTEN
 BENODIGD GEREEDSCHAP/HULPMIDDELEN
 MONTAGESTAPPEN

GASBARBECUE GEBRUIKEN 36

VEILIGHEIDSVOORSCHRIFTEN
 GASBARBECUE AANZETTEN
 GASBARBECUE UITZETTEN
 VERKLARING VAN DE SYMBOLEN
 EERSTE HULP

GASBARBECUE SCHOONMAKEN/ONDERHOUDEN 39

VEILIGHEIDSVOORSCHRIFTEN

OPBERGEN/VERVOEREN 40

VEILIGHEIDSVOORSCHRIFTEN

AFDANKEN 41

TECHNISCHE GEGEVENS 41

GARANTIE 42

GASBARBECUE MONTEREN 44

OVER DEZE GASBARBECUE

Hartelijk gefeliciteerd met uw keuze voor een BBQ®-product! U kunt er zeker van zijn dat u een product van een gerenommeerde Europese fabrikant heeft aangeschaft!

Alle apparaten voldoen aan de hoogste normen op het gebied van prestaties en veiligheid. Als onderdeel van onze klantenservice en ons klanttevredenheidsbeleid krijgt u van ons 3 jaar garantie. Als u een beroep wilt doen op de garantie, vul dan de bijgevoegde garantiekaart in en stuur deze naar het aangegeven adres.

Deze gebruiksaanwijzing kunt u ook in pdf-formaat downloaden op onze website www.enders-germany.com.

Bewaar deze handleiding om haar later na te kunnen slaan. Als dit product wordt doorgegeven moet ook deze handleiding worden meegegeven.

Lees de gebruiksaanwijzing en in het bijzonder de veiligheidsinstructies aandachtig door voordat u het apparaat gaat gebruiken en neem de aanwijzingen in acht.

Wij wensen u veel plezier met uw BBQ®-product!

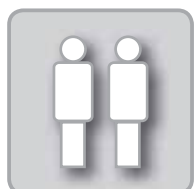
GEBRUIKTE SYMBOLEN



Dit symbool staat voor het signaalwoord **LET OP** en waarschuwt u voor mogelijke verwondingen en materiële schade, evenals schade aan het apparaat zelf.



Hiervoor hebt u gereedschap nodig.



Roep hier de hulp van een tweede persoon in.



Gebruik bij het openen van de verpakking geen cutter of vergelijkbare scherpe voorwerpen om krassen op het apparaat te voorkomen.



Handige tips en informatie.



Leg tijdens de montage een zachte onderlegger onder de onderdelen om krassen en beschadigingen te voorkomen.



Draag bij het monteren veiligheidshandschoenen om snijwonden te voorkomen

GASBARBECUE UITPAKKEN

VEILIGHEIDSVOORSCHRIFTEN



- Ondank's voorzichtig verslindende van de morsende onderdelen, zomerse onderdelen kunnen scheerranden optillen. Draag daarom veiligheidshandschoenen om snijwonden te voorkomen.
- Levensgevaar door verstikking of inslikken. Houd het verpakkingsmateriaal uit de buurt van kinderen en gooi het direct weg. Berg ook kleine onderdelen buiten hun bereik op.

BENODIGD GEREEDSCHAP/HULPMIDDELEN



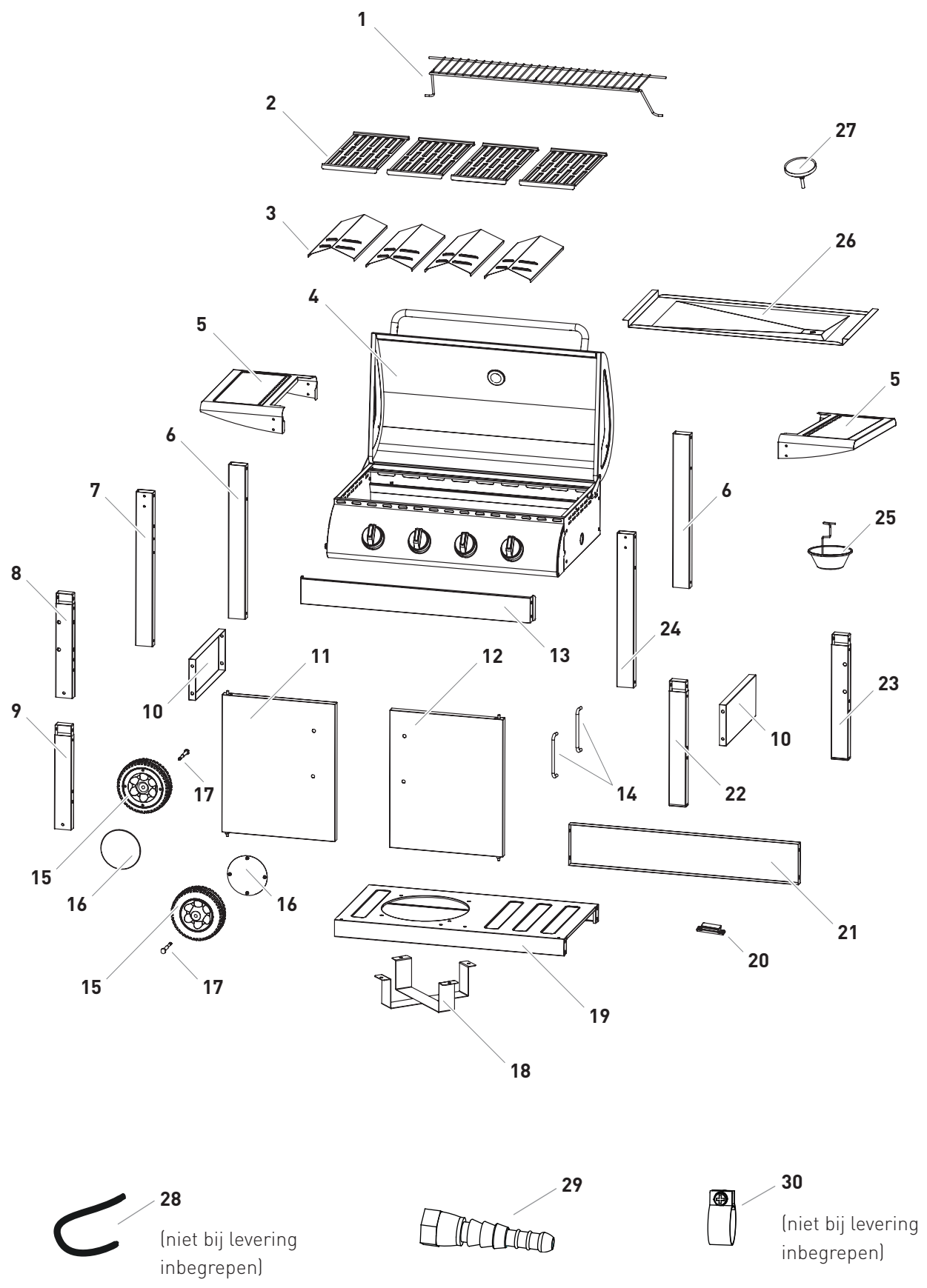
OMSCHRIJVING VAN DE ONDERDELEN

Nr.	Aantal
1	1
2	4
3	4
4	1
5	2
6	2
7	1
8	1
9	1
10	2
11	1
12	1
13	1
14	2
15	2
16	2
17	2
18	1
19	1
20	1

Nr.	Aantal
21	1
22	1
23	1
24	1
25	1
26	1
27	1
28	0
29	0
30	1

A	8
B	14
C	20
D	16
E	2

MEEGELEVERD



GASFLES AANSLUITEN

VEILIGHEIDSVOORSCHRIFTEN



BRAND- EN ONTPLOFFINGSGEVAAR

- De gasbarbecue mag uitsluitend met een drukregelaar worden gebruikt. De meegeleverde drukregelaar is in de fabriek goed afgesteld voor gebruik met vloeibaar gas. Lees ook de apart bij de drukregelaar meegeleverde montage- en gebruiksaanwijzing aandachtig door en volg deze op.
- Vervang de gaslang als desbetreffende landelijke regelgeving of de levensduur van de slang dit voorschrijft.
- De slang en drukregelaar moeten regelmatig worden vervangen (zie hiervoor het hoofdstuk Schoonmaken/onderhouden).
- Laat u bij het kopen of huren van de gasfles in een speciaalzaak adviseren.
- Let op dat er geen ontstekingsbronnen, open vuur e.d. in de buurt zijn, wanneer u de gasfles aansluit of vervangt.
- Let op dat de gaslang niet geknikt wordt of schuurt, en dat hij over de gehele lengte goed toegankelijk is.
- Controleer na de montage van de gasfles alle verbindingpunten op lekkages met een normaal verkrijgbare lekzoekspray of met zeepsop. Als er geen lekkages zijn, reinig de aansluitingen na testen met water.
- Een lekkagetest met open vuur is ten strengste verboden!

BENODIGD GEREEDSCHAP/HULPMIDDELEN



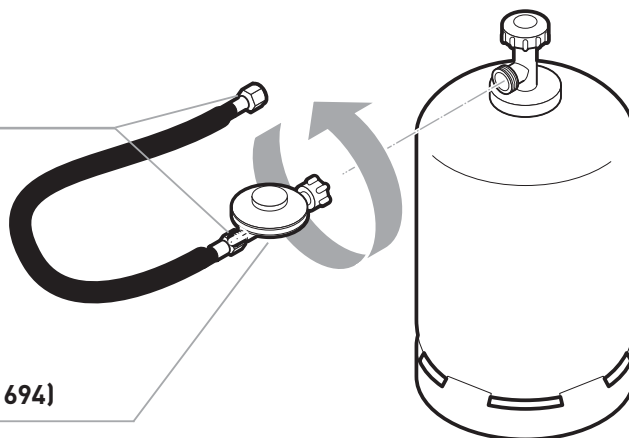
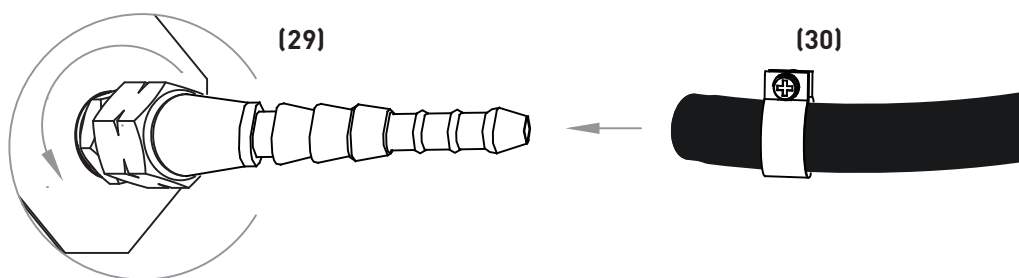
MONTAGESTAPPEN



Nr.	Beschrijving	Aantal
28		0

De wartelmoeren hebben linkse schroefdraad.

1. Plaats de gasfles naast de grill.
2. Draai de wartelmoer van de drukregelaar (**DIN EN 16129, Typ 694**) op de schroefkoppeling van de gasfles. Draai de wartelmoer met de hand vast. Gebruik geen gereedschap, om de afdichting niet te beschadigen.
3. Schroef de adapter (**29**) op de schroefdraad aan de gasgrill. Steek de slang op het pijpje van de adapter en zet deze vast met de slangklem.
4. Steek het andere uiteinde van de slang op het pijpje van de drukregelaar en zet dit eveneens vast met behulp van een slangklem (**30**).
5. Besproei de afdichtpunten met een normaal verkrijgbare lekzoekspray of breng met een kwast zeepsop aan (verhouding 1 deel zeep/3 delen water). Draai de afsluiter van de gasfles open. Op lekkende plekken ontstaan bellen. Draai de afsluiter van de gasfles weer dicht en verhelp het lek. Herhaal vervolgens stap 5, totdat alle lekkende plekken verholpen zijn.

Wartelmoeren van de slang (DIN EN 16436-2)**Schroefdraad van de drukregelaar (DIN EN 16129, Typ 694)****LET OP**

Gasflessen met een maximale maat van \emptyset 23,5 x 47 cm kunnen gebruikt worden en opgesteld worden in de gasbarbecue.

GASBARBECUE GEBRUIKEN

VEILIGHEIDSVOORSCHRIFTEN



Voordat u met barbecueën begint: denk er altijd aan dat veiligheid de hoogste prioriteit heeft! Voer daarom voor het barbecueën enkele veiligheidscontroles uit.

GEBRUIKSDOEL

- De gasbarbecue mag uitsluitend worden gebruikt om in de openlucht mee te barbecueën.
- Dit toestel is niet bedoeld voor kinderen noch voor volwassenen met een beperkt vermogen om apparaten te bedienen. Het mag uitsluitend worden gebruikt door mensen die in staat zijn het veilig te bedienen.
- De oppervlakken van de gasbarbecue kunnen tijdens het gebruik zeer heet worden. Waarschuw de omstanders en houd kinderen uit de buurt.
- De zijplanken zijn niet bedoeld voor direct contact met levensmiddelen.
- Draag beschermende handschoenen wanneer u met hete onderdelen omgaat.

BRAND- EN ONTPLOFFINGSGEVAAR

Branden van vet voorkomen:

- Vetten en oliën kunnen in verhitte toestand zelfs vlam vatten. Bij onvoldoende reiniging kan het opgehoopte vet vlam vatten, wat tot een zogeheten vetbrand in de barbecue kan leiden.
- Veeg vóór het barbecueën overtollig vet/marinade van de voedingsmiddelen af. Dat doet niets aan de smaak af. Het is alleen bedoeld om te voorkomen dat het vet vlam vat.
- Maak het apparaat regelmatig schoon om vetafzettingen te verwijderen. Let met name op vetafzettingen aan de binnenkant van de vuurbox, de vlamafdekkingen, vetlade en de vetopvangschaal.
- Blus brandend, heet of rokend vet of olie nooit met water.

Met gasinstallatie/gasbarbecue werken:


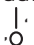
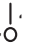
- Rook niet wanneer u met de gasinstallatie bezig bent. Plaats de gasfles niet in de buurt van open vuur.

- Gebruik de gasbarbecue uitsluitend in de openlucht. Let op dat de gasbarbecue tegen de wind beschut staat.
- Houd de barbecue uit de buurt van vocht, spatwater, enz.
- Plaats de gasbarbecue op een egale, stabiele en vuurvaste ondergrond.
- Het apparaat mag tijdens gebruik niet worden verplaatst. Blokkeer de wielen, door de vergrendeling naar beneden te duwen.
- Controleer de slang en de drukregelaar telkens vóór gebruik op scheurtjes en andere beschadigingen. Neem de gasbarbecue niet in gebruik als de drukregelaar, slang of gasfles defect zijn of lekken.
- Laat de gasbarbecue tijdens gebruik nooit zonder toezicht.
- Ter bescherming tegen onbedoeld vrijkomend gas mag de flesafsluiter op de gasfles alleen geopend zijn wanneer de gasbarbecue in gebruik is.
- Telkens na gebruik en voor een verplaatsing, moet u de gasbarbecue uitzetten en de afsluiter van de gasfles dichtdraaien.
- Om oververhitting te voorkomen mag het barbecue-oppervlak niet helemaal met aluminiumfolie of iets vergelijkbaars worden afgedekt. Als u een gietijzeren bakplaat heeft, mag u deze gebruiken, in overeenstemming met de aanwijzingen in de bijbehorende handleiding. Gebruik hierbij alleen originele Enders-producten.
- Houd tijdens het gebruik een veilige afstand aan tot brandbare en hittegevoelige materialen. De afstand mag niet kleiner zijn dan 1 m.
- Let op dat zich boven de gasbarbecue geen voorwerpen of delen van een gebouw op een hoogte van minder dan 2 meter bevinden.
- Let er op dat de ventilatieopeningen van het gasfleshouder niet afgedekt zijn.
- Draai bij vrijkomend gas of een storing onmiddellijk de afsluiter van de gasfles dicht.
- Bescherm de gasfles tegen fel zonlicht. De temperatuur mag niet boven de 40 °C komen.

GASBARBECUE AANZETTEN

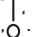


Laat de branders 15 minuten zonder grillmateriaal branden om conserveringsrestanten te verwijderen, voordat u de eerste keer op de gasgrill grilt. Er kunnen geurtjes ontstaan. Zorg voor voldoende ventilatie. Deksel en vuurbox van de gasbarbecue kunnen licht van kleur veranderen. Dit is een natuurlijk proces en geen grond voor reclamaties.

1. Open de deksel van uw barbecue.
2. De branders kunnen afzonderlijk worden aangestoken.
3. Draai alle bedieningsknoppen met de klok mee op UIT  en open dan pas de afsluiter van de gasfles!
4. Druk op één van de bedieningsknoppen en draai deze tegen de klok in op de hoogste stand '+'. U hoort dan een KLIK. De brander gaat aan. Als de brander niet aangaat, draai de bedieningsknop dan weer terug op UIT  en herhaal de stappen 3 tot en met 4.
5. **LET OP:** Ontsteekt de brander niet, draai de bedieningsknop dan met de klok mee op UIT  en draai de afsluiter van de gasfles dicht. Wacht 5 minuten en begin, na de afsluiter van de gasfles weer geopend te hebben, bij stap 4.
6. Wanneer een brander aan is, herhaal dan stap 4 om de andere branders aan te steken.
7. Regel de hitte door de bedieningsknop op de gewenste instelling tussen de hoogste + en laagste - stand te draaien.

GASBARBECUE UITZETTEN



Om de barbecue buiten bedrijf te stellen, de afsluiter van de gasfles sluiten en alle bedieningsknoppen op UIT zetten .

VERKLARING VAN DE SYMBOLEN OP HET BEDIENINGSPANEEL



Met deze knop start en regelt u de vierde brander van links.



Barbecuezone

Deze symbolen geven de verschillende barbecuezones aan. U kunt deze afzonderlijk regelen.

EERSTE HULP

**BRANDVEILIGHEIDSMATREGELEN**

- Breng de omstanders in veiligheid. Draai, indien mogelijk, de afsluiter van de gasfles dicht. Koel de gasfles af met water. Let hierbij op uw veiligheid. Hij kan spontaan en explosief opnieuw ontsteken.
- Bij brand moet u gevulde hogedruk-gashouders uit de gevarezone verwijderen. Als dit niet mogelijk is, bespuit de hogedruk-gashouders met water of andere geschikte middelen vanuit een veilige positie, teneinde deze tegen te sterke verhitting te beschermen.

MAATREGELEN NA INADEMING VAN GAS

- Hoge concentraties kunnen verstikking veroorzaken. Mogelijke symptomen hiervan zijn verlies van vermogen tot bewegen en bewustzijnsverlies. Het slachtoffer zelf merkt de verstikking niet op. In lage concentraties kan gas een gevoel van duizeligheid, hoofdpijn, misselijkheid en coördinatiestoringen veroorzaken.
- Breng het slachtoffer in de frisse lucht. Waarschuw een arts of de eerste hulp bij ongelukken. Begin bij ademstilstand met eerste hulp.

MAATREGELEN NA VRIJ ERNSTIGE VERBRANDING OF BRANDWONDEN

- Er bestaat acuut gevaar voor onderkoeling of een shock. Bel onmiddellijk de reddingsdiensten.
- Eventuele brandende kleren direct met water blussen of de vlammen met een dikke deken smoren.
- Bij brandwonden door kokende vloeistof: kleding direct verwijderen.
- Bij verbranding: kleding op het lichaam laten.

- Minimaal 15 minuten met koud water koelen tot de pijn afneemt.
- Het betrokken gedeelte met een steriele metalline-branddoek afdekken. De zijde met metallinecoating op de gewonde huid leggen en losjes vastzetten met een zwachtel of een driekante doek.
- Geen "huismiddeltjes" zoals zalven, poeders, oliën, ontsmettingsmiddelen e.d. toepassen.

MAATREGELEN BIJ LICHTEVERBRANDING EN KLEINERE BRANDWONDEN

- Bij brandwonden door kokende vloeistof: kleding direct verwijderen.
- Bij verbranding: kleding uitsluitend verwijderen als deze niet vastplakt.
- Minimaal 15 minuten met koud water koelen tot de pijn afneemt.
- Lichte verbrandingen of brandwonden (door kokende vloeistof) zonder blaarvorming, aan de open lucht laten genezen, niet afdekken met een pleister of verband.

GASBARBECUE SCOONMAKEN/ONDERHOUDEN

VEILIGHEIDSVOORSCHRIFTEN



- Ondanks zorgvuldige verwerking van de verschillende onderdelen, kunnen sommige onderdelen scherpe randen hebben. Draag daarom veiligheidshandschoenen om snijwonden te voorkomen.
- Hete oppervlakken: Wacht met schoonmaken totdat de gasbarbecue voldoende afgekoeld is.

BRAND- EN ONTPLOFFINGSGEVAAR

Branden van vet voorkomen:

- Maak telkensvoorgebruik het toestel schoon om vetaanslag te voorkomen. Let met name op vetafzettingen aan de binnenkant van de vuurbox, de vlamafdekkingen, vetlade en de vetopvangschaal.
- Gebruik geen brandbare schoonmaakmiddelen.

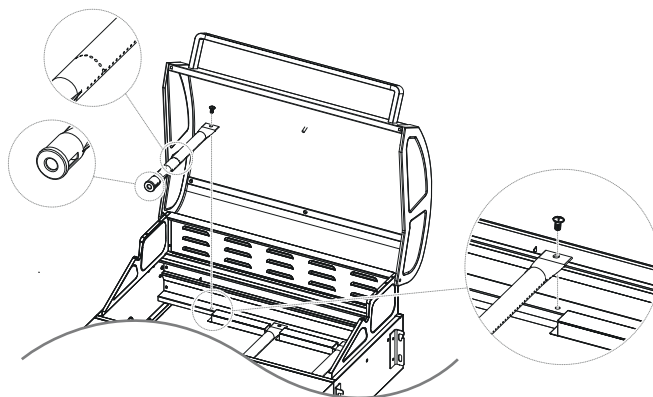
Met gasinstallatie/gasbarbecue werken:

- Reparaties en onderhoud aan de gasvoerende delen mogen alleen door hiervoor geautoriseerde vakmensen worden uitgevoerd.
- Voer geen veranderingen door aan de gasbarbecue en de drukregelaar. De slang moet na vijf jaar (zie productiedatum op de gas slang) voor een servicebeurt.
- Vervang de drukregelaar en de slang na uiterlijk 10 jaar, ook als er geen uitwendige schade waarneembaar is. Let er op dat de drukregelaar voor uw land en het gebruikte gas goedgekeurd is en afgesteld staat op de juiste uitgangsdruk (zie Technische gegevens). Een nieuwe slang mag niet langer zijn dan 1,5 m.
- Er mogen geen veranderingen worden doorgevoerd aan onderdelen die door de fabrikant of zijn dealer werden verzegeld.
- Het gas vormt samen met olie een explosief mengsel. Probeer nooit stroeve afsluiters en regelknoppen soepel te maken met olie of kruipolie.
- De branders zijn afneembaar om ze schoon te kunnen maken. Ze mogen niet onderling verwisseld worden.



- Veeg vóór het barbecueën overtollig vet/marinade van de voedingsmiddelen af. Dat doet niets aan de smaak af. Het is alleen bedoeld om te voorkomen dat het vet vlam vat.
- Maak de barbecue telkens na gebruik schoon. Let met name op vetafzettingen aan de binnenkant van de vuurbox, de vlamafdekkingen, vetlade en de vetopvangschaal.
- Gebruik geen schurende en chloorhoudende schoonmaakmiddelen.
- Trek de vetlade en de vetopvangschaal uit het apparaat en voer het vet als afval af volgens de milieuvoorschriften.
- Veeg de oppervlakken af met een vochtige doek of spoel ze af met heet water. Gebruik zo nodig een mild schoonmaakmiddel. Naspoelen met water en alle oppervlakken met een microvezeldoek afdrogen. Bij gebruik van een mild schoonmaakmiddel moet u bovendien de aanwijzingen/productinformatie van de fabrikant in acht nemen, om beschadigingen aan oppervlakken te vermijden.

- Laat de barbecue vóór het volgende gebruik volledig drogen.
- Is in uitzonderlijke gevallen de branderbuis verstopt, ontstop deze dan met een naald of een pijpenrager.



OPBERGEN/VERVOEREN

VEILIGHEIDSVOORSCHRIFTEN



BRAND- EN ONTPLOFFINGSGEVAAR

- Bewaar de gasfles buiten het bereik van kinderen.
- Houd de gasfles uit de buurt van brandbare gassen en andere oxiderende stoffen.
- Vrijkomend gas is zwaarder dan lucht en zakt naar de grond. Bewaar de gasfles niet binnenshuis, onder maaiveldhoogte (bijv. in een kelder, put, ondergrondse garage, enz.), of op ongeventileerde plaatsen waar vrijkomend gas zich zou kunnen ophopen.
- Bescherm de gasfles tegen direct zonlicht en andere warmtebronnen.
- Sla de gasfles bij een temperatuur onder 40 °C op een goed geventileerde, beschaduwde plaats en beschermd tegen weersinvloeden op.
- Bewaar de gasfles rechtop en beveiligd tegen omvallen.
- Deze bewaaraanwijzingen gelden ook voor lege gasflessen. Deze kunnen nog een resthoeveelheid vloeibaar gas bevatten.
- Transporteer de gasfles indien mogelijk niet in voertuigen waarvan de laadruimte niet afgescheiden is van de chauffeurscabine. De chauffeur moet de mogelijke gevaren van de lading kennen en weten wat hij bij een ongeval of in een noodgeval moet doen.
- Transporteer de gasfles rechtop en beveiligd tegen omvallen en wegglijden.
- Let op dat de afsluiter van de gasfles gesloten is.
- Vraag uw gashandelaar naar de huidige landelijke richtlijnen en vereisten.



- Bewaar dit toestel in een vorstvrij, droog vertrek. Sluit de barbecuedecksel en dek het apparaat af met de beschermhoes, om vuil worden en beschadigingen te vermijden.
- Voor plaatsbesparend opbergen de zijplanken iets omhoog tillen en dan naar beneden klappen.

AFDANKEN



De productverpakking bestaat uit recyclebare materialen die voor hergebruik kunnen worden ingezameld. Verwijder deze gescheiden in de daarvoor bestemde verzamelcontainers.

Als u zich van het product wilt ontdoen, deponeer het dan niet bij het gewone huisvuil. Vraag uw plaatselijke afvalinzamelbedrijf of uw gemeentelijke afvalverwerkingsbedrijf naar de mogelijkheden voor een milieuvriendelijke en grondstoffenbesparende verwijdering.

TECHNISCHE GEGEVENS

Model: SAN DIEGO 4

Item no.: 8121630

$\Sigma Q_n H_s$: 9 kW
655 g/h (PL 644 g/h)

Product-ID no.: 0063CU7014

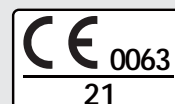
Type of gas: Propan G31/Butan G30

Dit apparaat werd conform DIN EN 498:2012 getest en toegelaten. Dit toestel in leveringstoestand is ontwikkeld voor gebruik met vloeibaar gas.

Slanglengte: 0,6 m

Gasfles: Gasflessen met een maximale maat van \emptyset 23,5 x 47 cm kunnen gebruikt worden en opgesteld worden in de gasbarbecue.

Dest.	Category	p (mbar)	Markering mondstuk branders (mm)
NL	I3B/P(30)	30	\emptyset 0,75



GARANTIE



Wij geven **2 jaar garantie** op het functioneren van het apparaat. Voorwaarde voor de garantie is een correcte behandeling van het apparaat en een officieel bewijs van de datum van aankoop.

De garantie vervalt na het verstrijken van de garantietermijn of zodra er eigenmachtig veranderingen aan het toestel werden doorgevoerd. Er mogen geen veranderingen worden doorgevoerd aan onderdelen die door de fabrikant of zijn vertegenwoordiger werden verzegeld.

Mocht uw product ondanks onze kwaliteitscontroles toch een defect vertonen, breng het dan niet terug naar de winkel, maar neem rechtstreeks contact op met ons Service Center. Zo kunnen wij voor een snelle klachtenverwerking instaan.

Gebruik hiervoor:

<http://www.enders-germany.com>

Voor vragen kunt u de garantie en het aankoopbewijs invullen en bewaren!

Modelnaam

Artikelnummer fabrikant









Serienummer (zie achterkant apparaat)

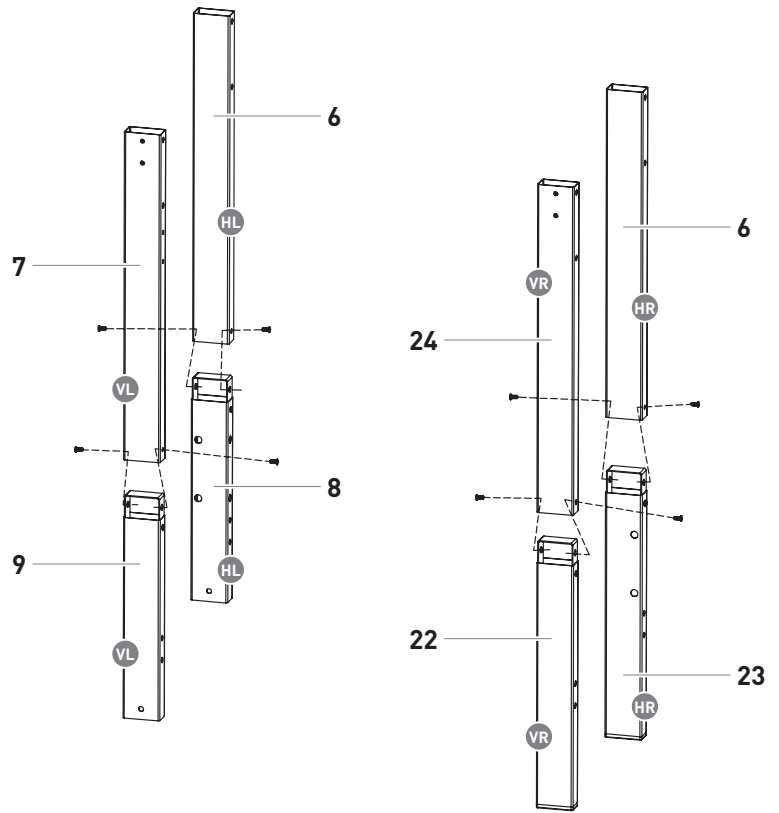
Aankoopdatum

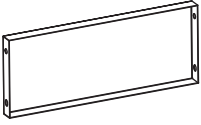

plaats van aankoop

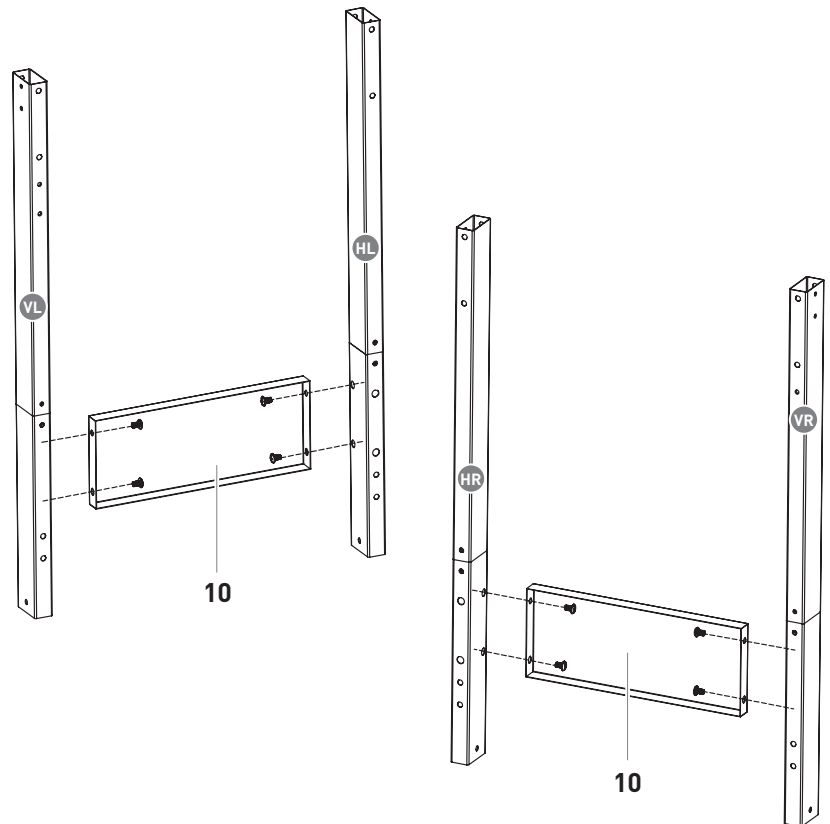
Ter verbetering van onze producten behouden we ons kleurveranderingen en technische veranderingen voor.

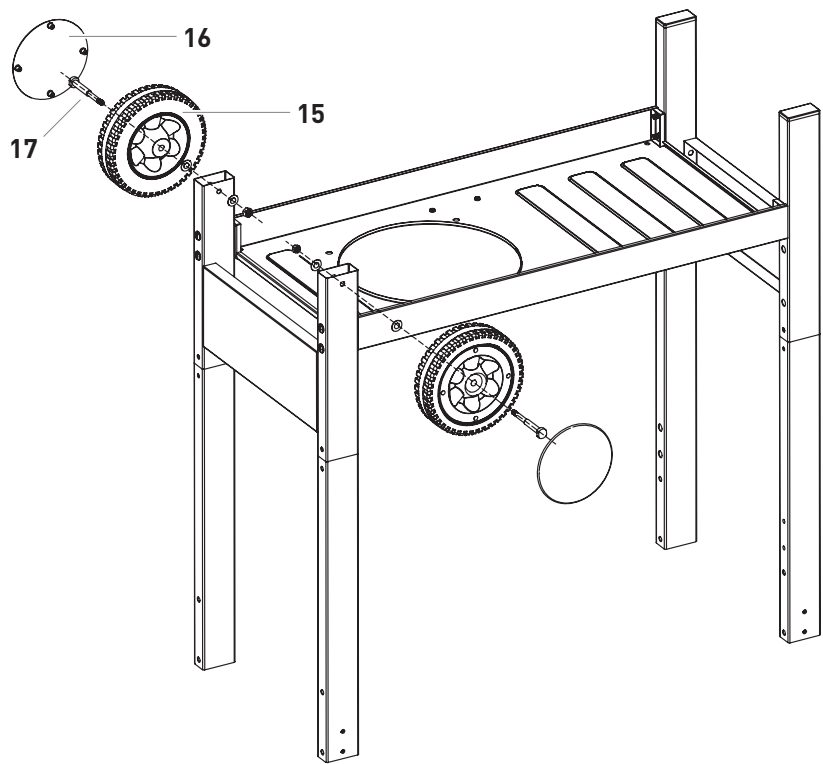
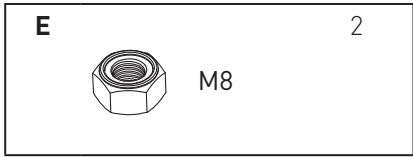
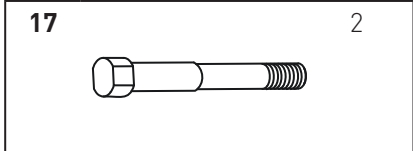
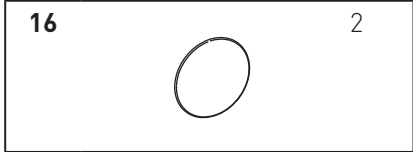
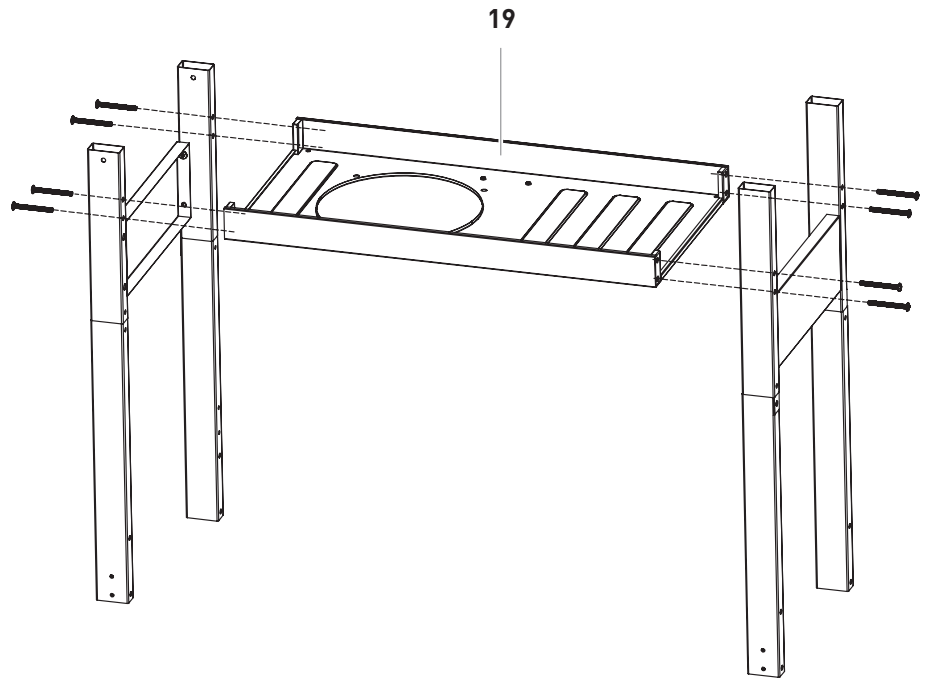
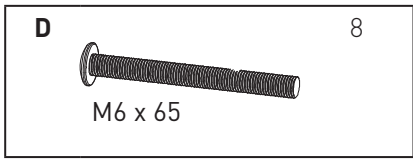
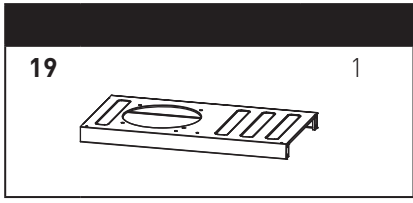
Aankoopbewijs

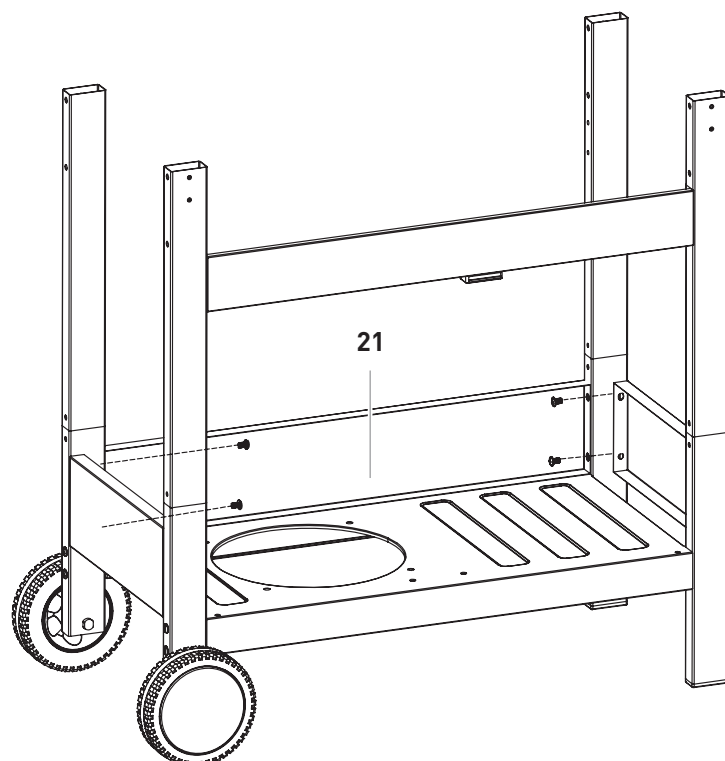
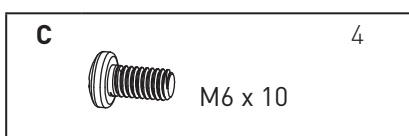
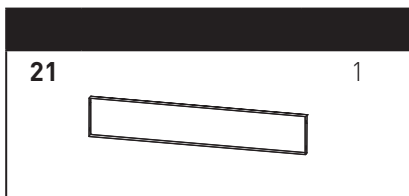
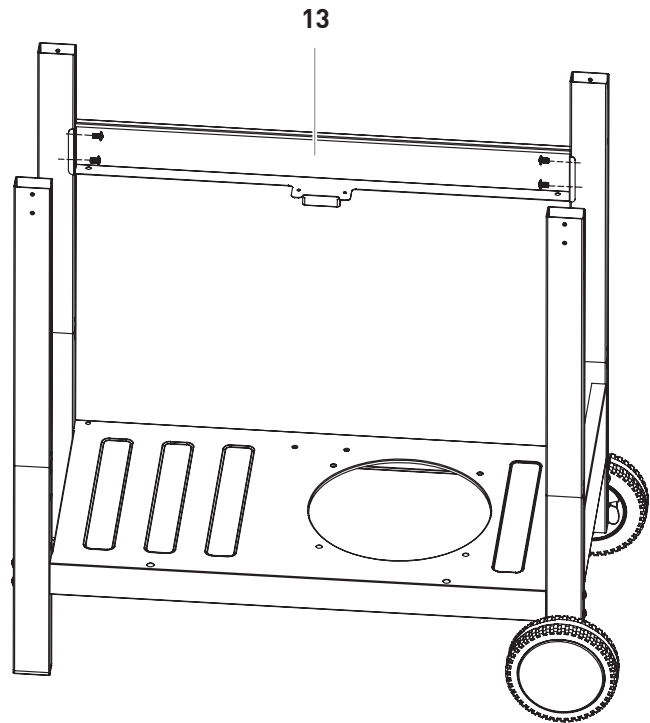
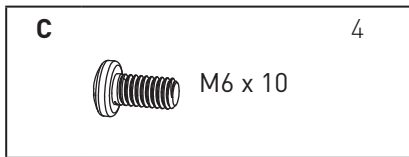
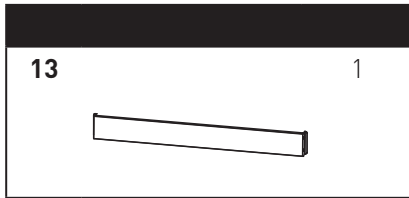
6		2
7		1
8		1
9		1
22		1
23		1
24		1
A	 M4 x 10	8



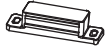
10		2
C	 M6 x 10	8



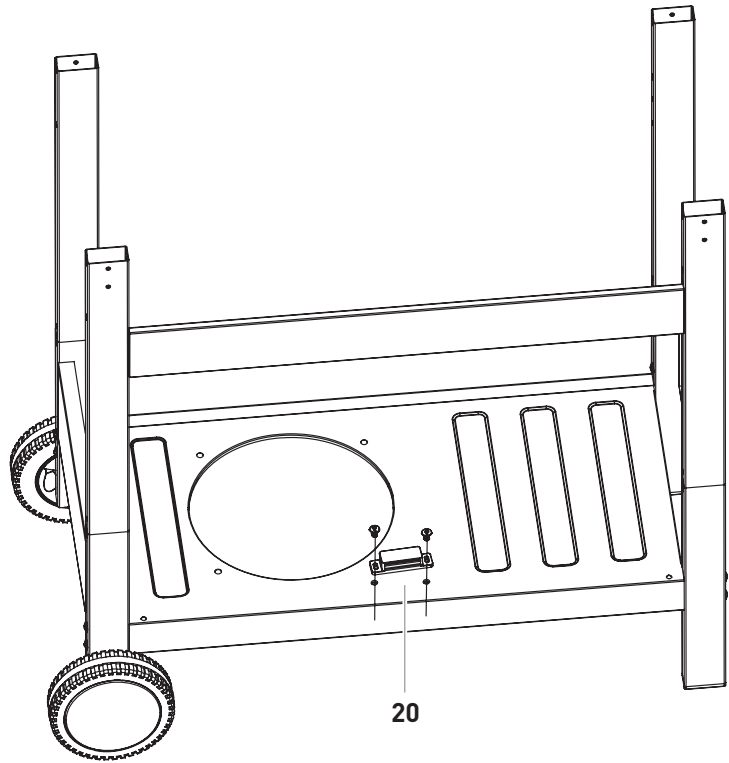




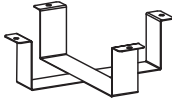
20 1



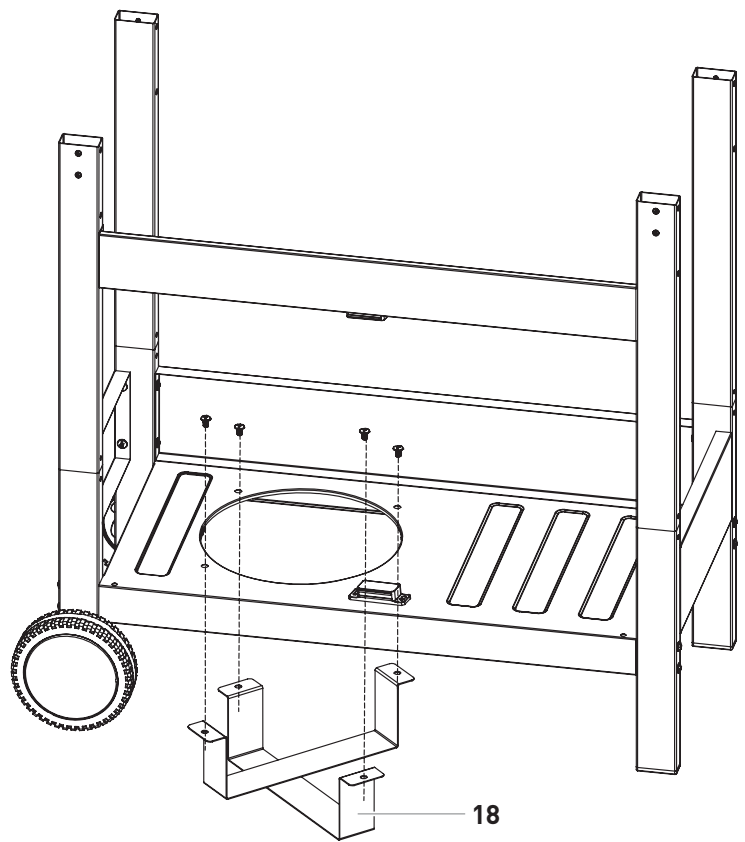
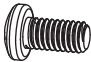
B M4 x 10 2

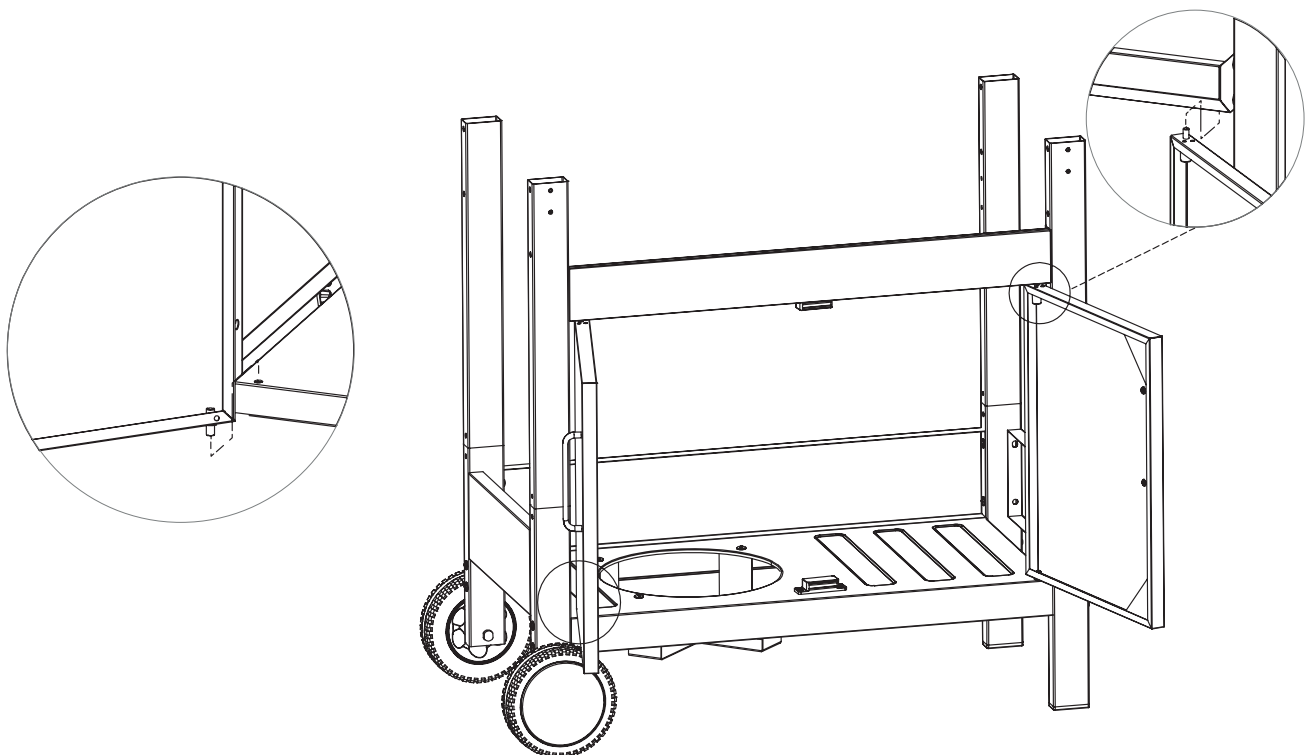
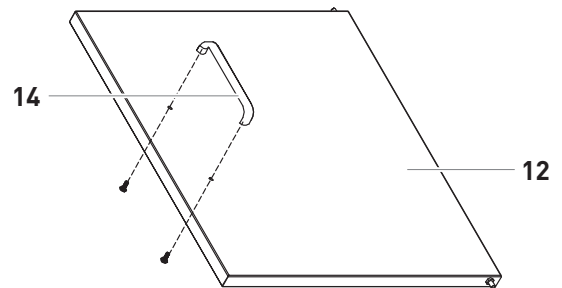
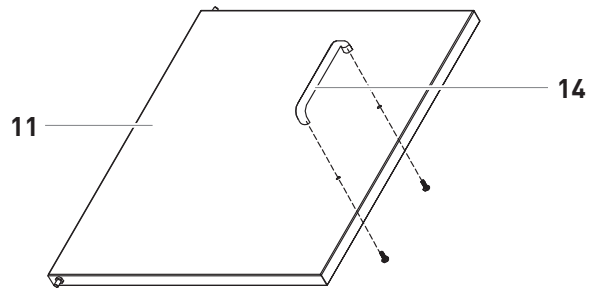
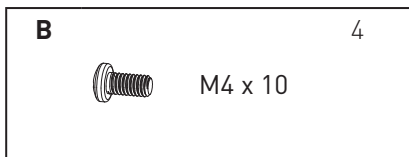
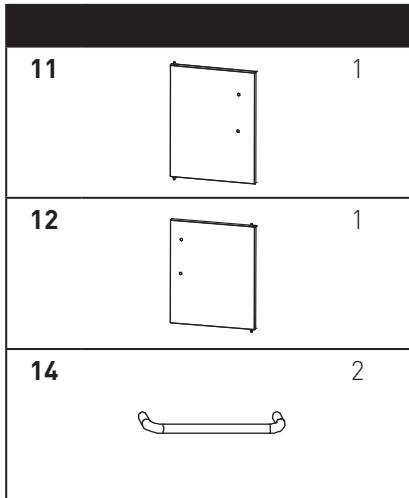


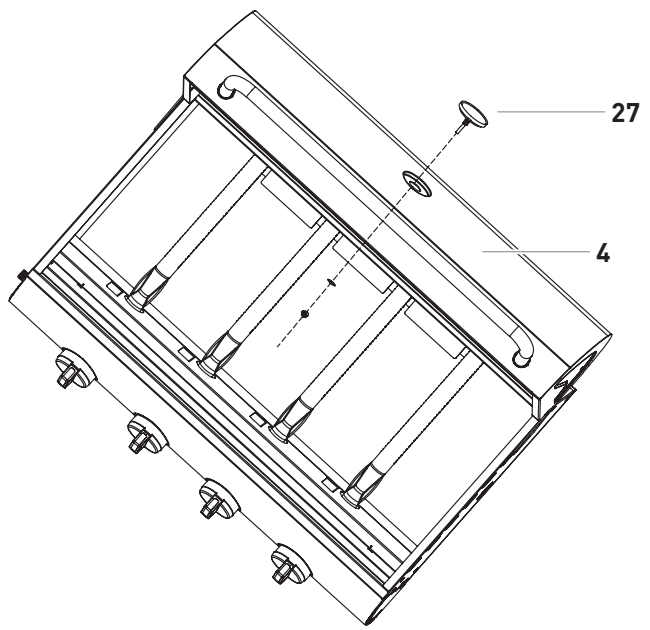
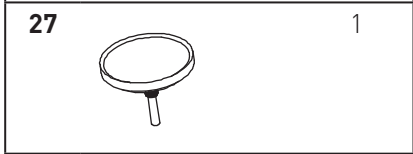
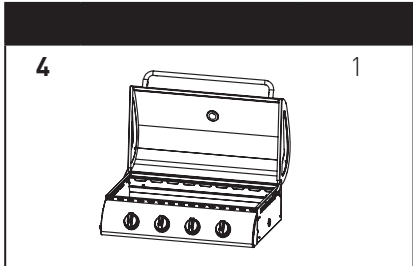
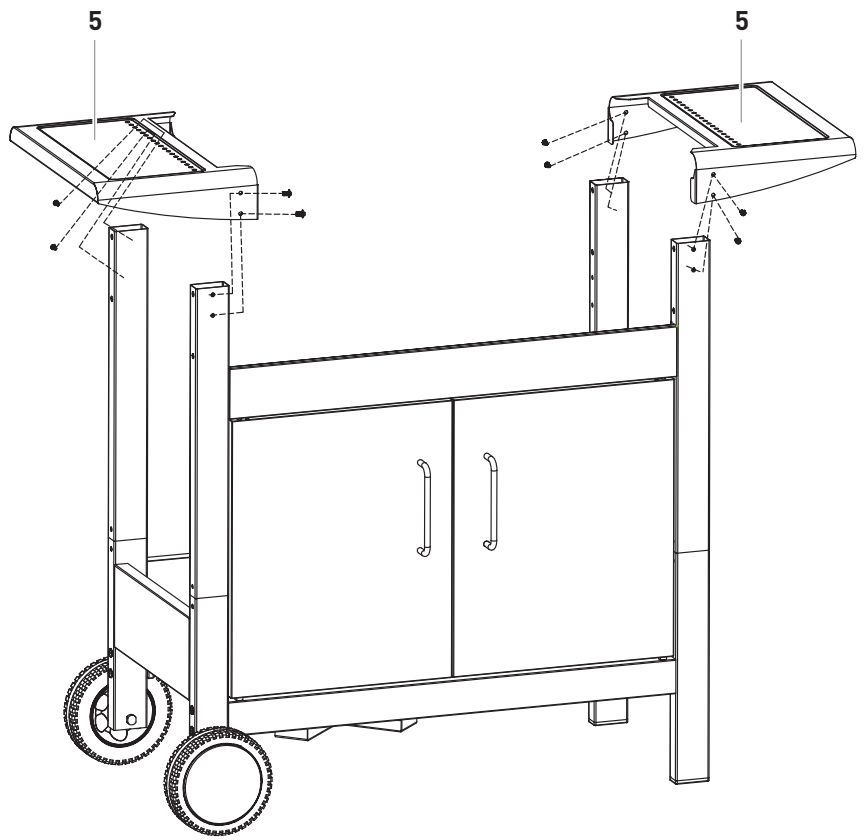
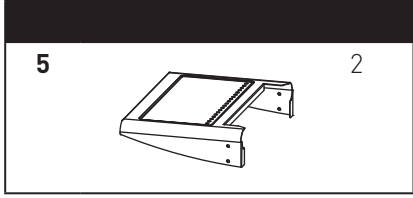
18 1

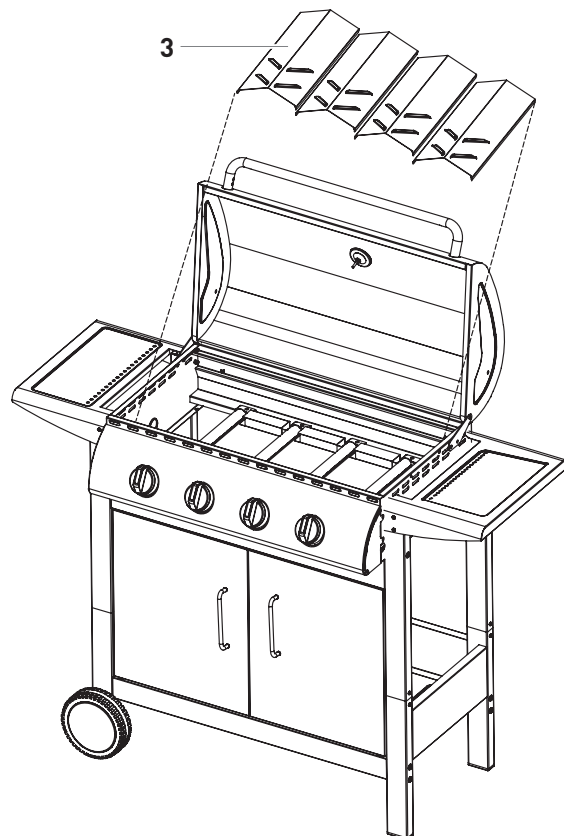
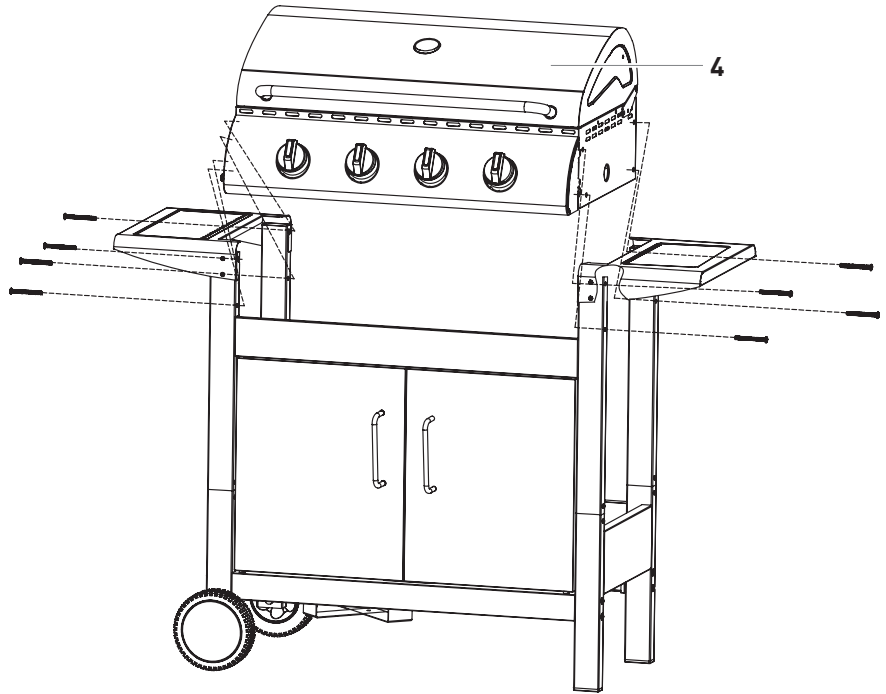
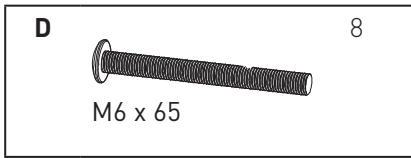
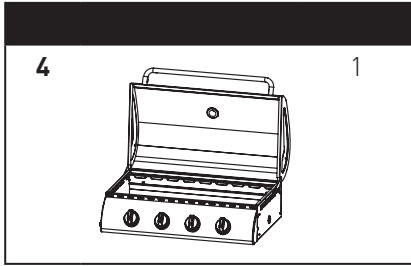


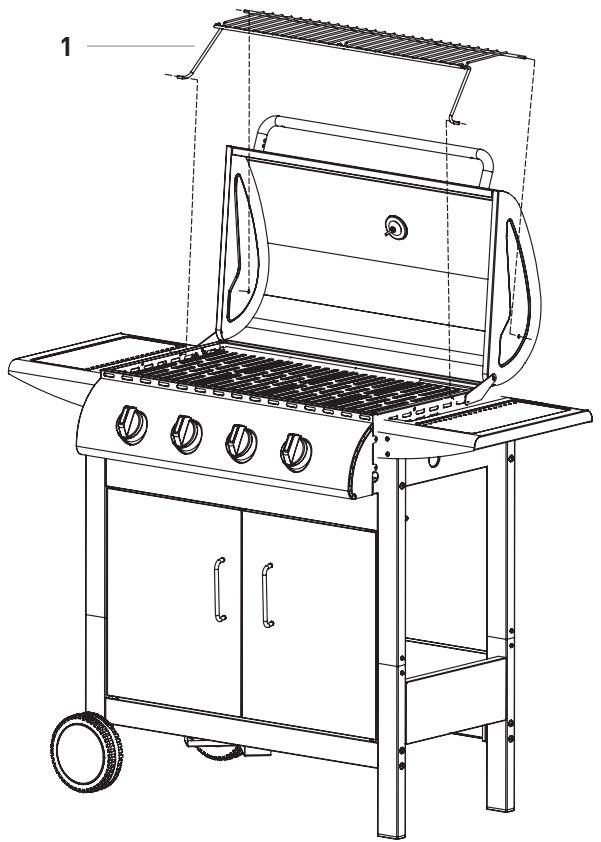
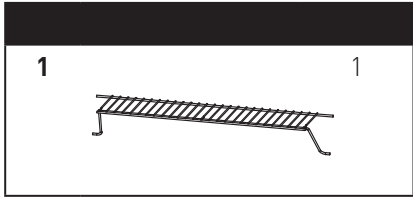
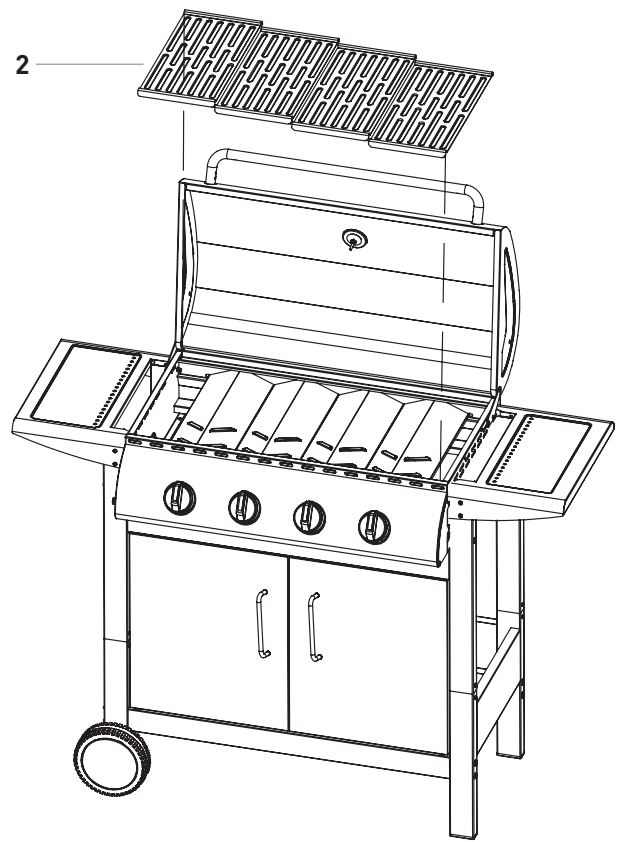
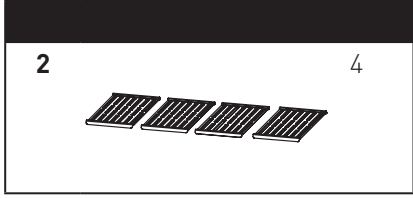
C M6 x 10 4

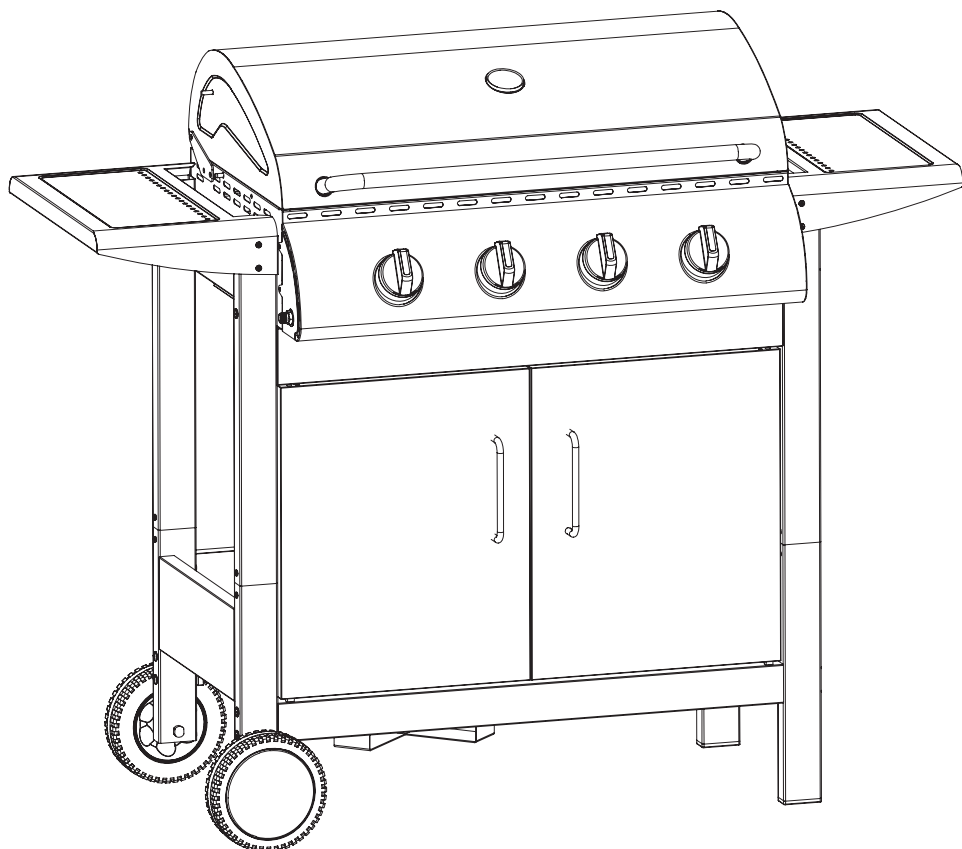
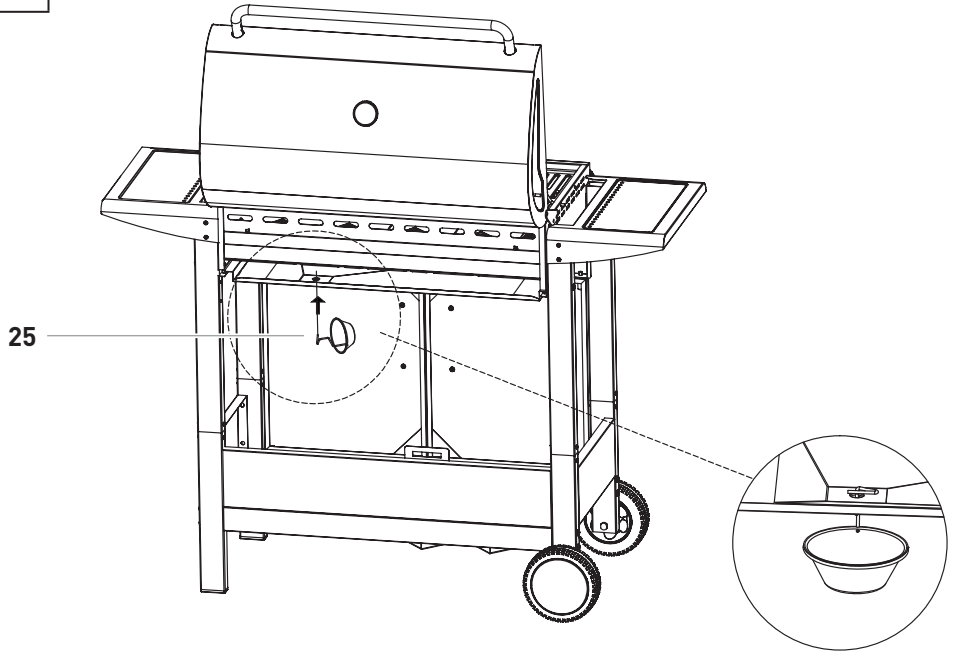
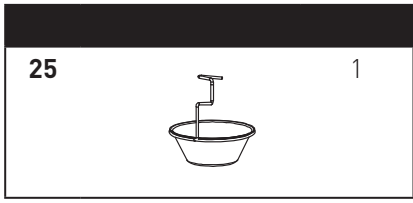












MANUFACTURER / FABRICANTE / FABRIKANT

Enders Colman AG

Brauck 1

D-58791 Werdohl, Deutschland

Tel +49 (0) 2392 - 9782 30

www.enders-germany.com

210317
